

Drawing



Tools for Chefs

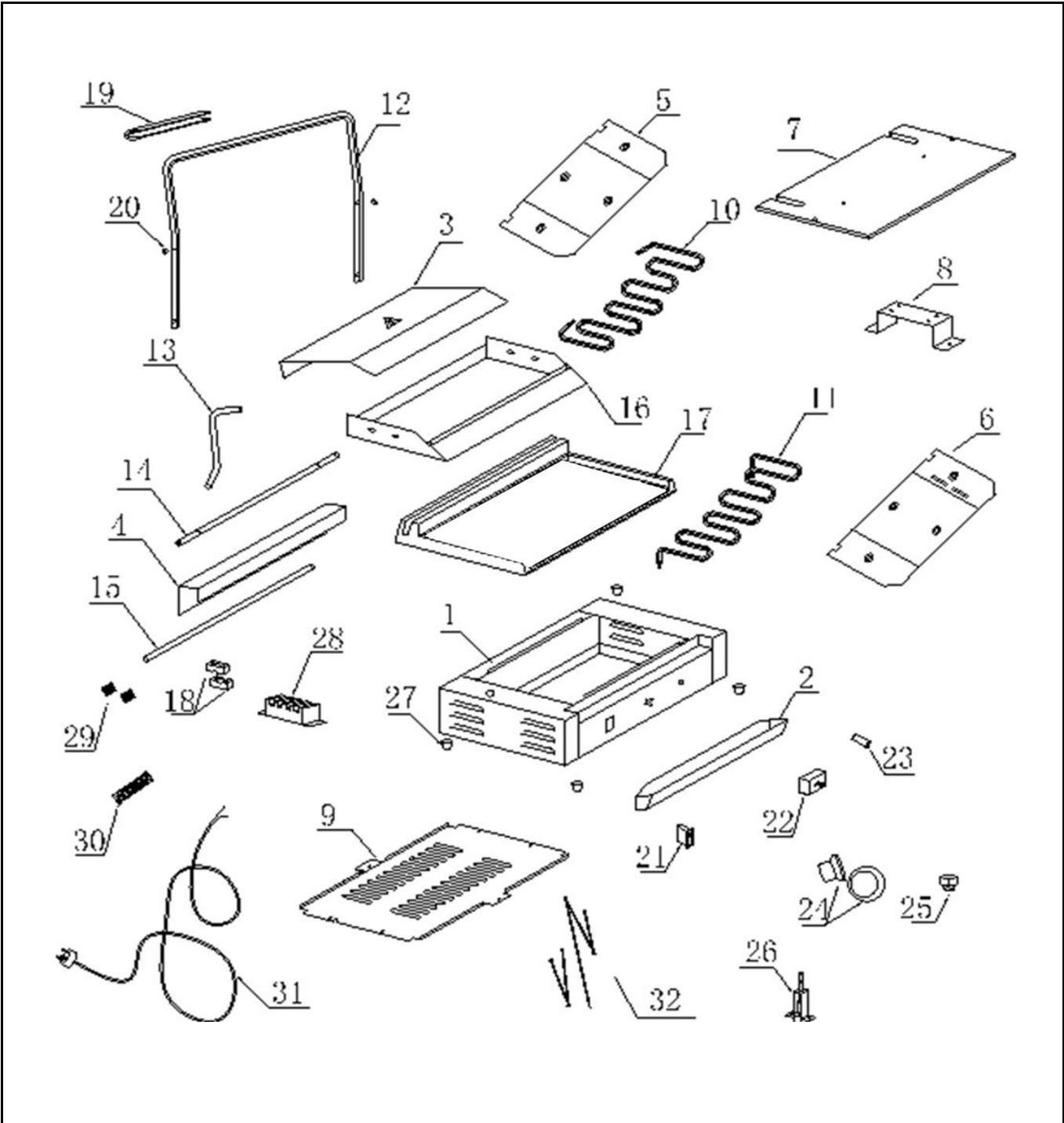
Hendi B.V.
 Steenoven 21
 3911 TX Rhenen
 The Netherlands

Batch #
 000000 until
 662004


Appliance part#
263662

Description
 Contact grill "Panini"
 ribbed top/smooth bottom

Date	03-05-2021	Revision #	1.0
Revision	First Bill of Materials (BOM)		



Bill of materials (BOM)

 <b style="font-size: 24px; margin-left: 10px;">HENDI Tools for Chefs Hendi B.V. Steenoven 21 3911 TX Rhenen The Netherlands	Batch #	Appliance part#
	000000 until 662004	263662
	Description	
Contact grill "Panini" ribbed top/smooth bottom		


Date	03-05-2021	Revision #	1.0
Revision	First Bill of Materials (BOM)		

Item	Description	Part#	Quantity	Remark	Picture
1	Housing	n/a	1		
2	Oil drip tray	263990	1		
3	Housing cover upper grill plate	n/a	1		
4	Back upper cover	912010	1		
5	Isolation plate (top)	n/a	1		
6	Isolation plate (bottom)	n/a	1		
7	Cover lower heating element	n/a	1		
8	Bracket	n/a	1		
9	Bottom cover	912065	1		
10	Upper heating element	902028	1		
11	Lower heating element	902035	1		
12	Frame of handle	912034	1	Incl. item 19 and 20	
13	Wire guide tube	n/a	1		
14	Upper axle	n/a	1		
15	Back axle	902226	1		
16	Upper grill plate	n/a	1		
17	Lower grill plate	n/a	1		
18	Brake shoe complete set	902097	1		
19	Handle	nss	1	Available as 912034	
20	Silicon plug	nss	2	Available as 912034	
21	Switch	902080	1		
22	Thermostat	902011	1		
23	Indicator light (orange)	912003	1		
24	Knob thermostat	904411	1		
25	Hi-limiter	902004	1		
26	Reset rod	902042	1		
27	Feet	912058	4	Set of 4	
28	Terminal	912041	1		
29	Spring	nss	1	Available as 902097	
30	Torsion spring	901908	1		
31	Power cord	912027	1		
31A	Cord inlet with retention	912201	1		
32	Wiring	912089	1		

n/a -> not available

nss -> not sold separately

Circuit diagram

 HENDI Tools for Chefs Hendi B.V. Steenoven 21 3911 TX Rhenen The Netherlands	Batch #	Appliance part#
	000000 until 662004	263662
	Description Contact grill "Panini" ribbed top/smooth bottom	

Date	03-05-2021	Revision #	1.0
Revision	First Bill of Materials (BOM)		

