

PERCOLATOR



Item: 211311
211328
211335
211342
211359
211366

You should read this user manual carefully before using the appliance.

Bevor Sie das Gerät in Betrieb nehmen, sollten Sie diese Gebrauchsanweisung aufmerksam lesen.

Alvorens de apparatuur in gebruik te nemen dient u deze gebruiksaanwijzing aandachtig te lezen.

Przed uruchomieniem urządzenia należy koniecznie dokładnie przeczytać niniejszą instrukcję obsługi.

Lisez attentivement ce mode d'emploi avant d'utiliser l'appareil .

Prima di utilizzare l'apparecchio in funzione leggere attentamente le istruzioni per l'uso.

Citiți cu atenție prezentul manual de utilizare înainte de folosirea aparatului.

Внимательно прочитайте руководство пользователя перед использованием прибора.

Πρέπει να διαβάσετε αυτές τις οδηγίες χρήσης προσεκτικά πριν χρησιμοποιήσετε τη συσκευή.



Keep these instructions with the appliance.
Diese Gebrauchsanweisung bitte beim Gerät aufbewahren.
Bewaar deze handleiding bij het apparaat.
Zachowaj instrukcję urządzenia.
Conservate le istruzioni insieme all'apparecchio.
Păstrați manualul de utilizare alături de aparat.
Tento návod si odložte so spotřebičom.
Хранить руководство вместе с устройством.
Φυλάξτε αυτές τις οδηγίες μαζί με τη συσκευή.



For indoor use only.
Nur zur Verwendung im Innenbereich.
Alleen voor gebruik binnenshuis.
Do użytku wewnątrz pomieszczeń.
Pour l'usage à l'intérieur seulement.
Destinato solo all'uso domestico.
Doar pentru uz la interior.
Использовать только в помещениях.
Για χρήση μόνο σε εσωτερικό χώρο.



Dear Customer,

Thank you for purchasing this HENDI appliance. Before using the appliance for the first time, please read this manual carefully, paying particular attention to the safety regulations outlined below.

Safety regulations


- This appliance is intended for commercial use only and must not be used for household use.
- The appliance must only be used for the purpose for which it was intended and designed. The manufacturer is not liable for any damage caused by incorrect operation and improper use.
- Keep the appliance and electrical plug away from water and any other liquids. In the event that the appliance should fall into water, immediately remove plug from the socket and do not use until the appliance has been checked by a certified technician. Failure to follow these instructions could cause a risk to lives.
- Never attempt to open the casing of the appliance yourself.
- Do not insert any objects in the casing of the appliance.
- Do not touch the plug with wet or damp hands.
- **Danger of electric shock!** Do not attempt to repair the appliance yourself. In case of malfunctions, repairs are to be conducted by qualified personnel only.
- **Never use a damaged appliance!** Disconnect the appliance from the electrical outlet and contact the retailer if it is damaged.
- **Warning!** Do not immerse the electrical parts of the appliance in water or other liquids. Never hold the appliance under running water.
- Regularly check the power plug and cord for any damage. If the power plug or power cord is damaged, it must be replaced by a service agent or similarly qualified persons in order to avoid danger or injury.
- Make sure the cord does not come in contact with sharp or hot objects and keep it away from open fire. To pull the plug out of the socket, always pull on the plug and not on the cord.
- Ensure that the cord (or extension cord) is positioned so that it will not cause a trip hazard.
- Always keep an eye on the appliance when in use.
- **Warning!** As long as the plug is in the socket the appliance is connected to the power source.
- Turn off the appliance before pulling the plug out of the socket.
- Never carry the appliance by the cord.
- Do not use any extra devices that are not supplied along with the appliance.
- Only connect the appliance to an electrical outlet with the voltage and frequency mentioned on the appliance label.
- Connect the power plug to an easily accessible electrical outlet so that in case of emergency the appliance can be unplugged immediately. To completely switch off the appliance pull the power plug out of the electrical outlet.
- Always turn the appliance off before disconnecting the plug.

EN



- Never use accessories other than those recommended by the manufacturer. Failure to do so could pose a safety risk to the user and could damage the appliance. Only use original parts and accessories.
- This appliance is not intended for use by persons (including children) with reduced physical, sensory or mental capabilities, or lack of experience and knowledge.
- This appliance must not be used by children under any circumstances.
- Keep the appliance and its cord out of reach of children.
- Always disconnect the appliance from the mains if it is left unattended or is not in use, and before assembly, disassembly or cleaning.
- Never leave the appliance unattended during use.

Special Safety Regulations

- This appliance is a coffee percolator. It is intended only for brewing coffee and maintain the serving temperature in commercial use. Not suitable for use with milk or chocolate milk and other liquids. Any other use may lead to damage of the appliance or personal injury.
- Do not use the appliance for cooking food products, storing and heating flammable, dangerous or ignitable fluids, substances, etc.
- Use the appliance only as described in this manual.
- This appliance should be operated and maintained by trained personnel in kitchen of the restaurant, canteens or bar staff, etc. It can be used by other persons in a location where its use is overseen, for example in dining rooms in restaurants or hotels.
- This appliance is suitable for an ambient temperature from 15°C ~ 30°C.
-  **Caution! Hot surface!** The temperature of the accessible surface is very high during use. Touch only the handles, switch & temperature dial.
- Do not place the appliance on a heating object (gasoline, electric, charcoal cooker, etc.) Keep the appliance away from any hot surfaces and open flames. Always operate and place the appliance on a horizontal, stable, clean, heat-resistant and dry surface.
- Do not place the appliance at the edge of the counter or table side to avoid accidents. Also to ensure the surface where the appliance is placed on is capable of supporting the overall weight of the appliance with liquid.
- Do not overfill the appliance beyond the MAX level indicator. Overfilling may result in splashing and burns. Check and monitor the water level regularly to avoid dry boiling. Never to operate the appliance without liquid in the container.
- Do not use the appliance near explosive or flammable materials, credit cards, magnetic discs or radios.
- This appliance is not intended to be operated by means of an external timer or separate remote-control system.
- **WARNING:** Never remove or open the lid while the appliance is operating. The steam may come out and cause burns.
- Allow at least 20 cm spacing around the appliance for ventilation purpose during use.
- Do not use a water jet, flush directly with water or steam cleaner as the parts will get wet and electric shock might be resulted.

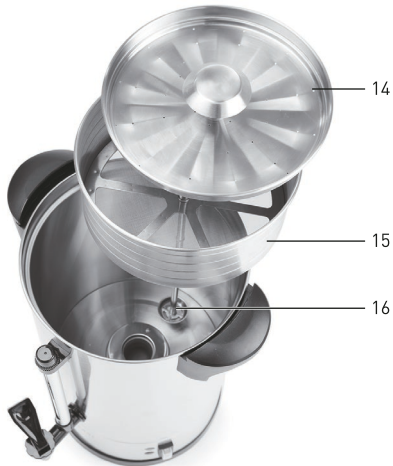
- **Caution!** Securely route the power cord if necessary in order to prevent unintentional pulling or contact with the heating surface.
- Do not attempt to move the appliance when it is full of hot or cold water as it is heavy.
- Do not clean or store the appliance unless it is completely cooled down.

Grounding installation

This appliance is classified as protection class I appliance and must be connected to a protective ground. Grounding reduces the risk of electric shock by providing an escape wire for the electric

current. This appliance is equipped with a cord having a grounding wire with a grounding plug. The plug must be plugged into an outlet that is properly installed and grounded.

Main parts of the appliance



- | | |
|--|---|
| <ul style="list-style-type: none"> 1. RESET indicator (Red) 2. Heating indicator (Orange) 3. Drain tap 4. Lever 5. Liquid level indicator 6. Lift up handle (On both sides) 7. Handle locking tab (On both sides) 8. Steam vent (On both sides) 9. Lid cover handle | <ul style="list-style-type: none"> 10. Lid cover 11. Container 12. ON/OFF switch (Green) 13. Drip tray (For item 211342, 211359, 211366 only) 14. Brewing cover (For item 211342, 211359, 211366 only) 15. Filter basket 16. Percolator pipe |
|--|---|

Remark: The content of this manual applies for all listed items unless specified otherwise. The outlook and appearance may vary from the shown illustrations.

EN


Preparations before first use

- Remove all protective packaging and wrapping.
- Check to make sure the appliance is undamaged. In case of incomplete delivery and damages, DO NOT use the appliance. Please contact supplier (See ==> Warranty).
- Clean the appliance before use (See ==> Cleaning and Maintenance).
- Make sure the appliance is completely dry.
- Place the appliance on a horizontal, stable and heat resist surface that is safe against water splashes.
- Ensure that there is sufficient ventilation. Keep a minimum distance of 20 cm around the appliance.

Note: Due to manufacturing process, the appliance may emit a slight odor and smoke in the first few cycles. This is normal and does not indicate any defect or hazard. Discard the water from the first few cycles to remove any residues from the manufacturing process.

Operation

Functions of main parts

Part	Function
	ON/OFF switch - Switch the appliance ON or OFF. - Green light illuminates when ON. Note: The green indicator is not light up when the dry boiling protection is activated.
Heating indicator (2)	Heating indicator - Light up in orange to show the heating function is activated.
RESET indicator (1)	Reset indicator - Light up in red to show the dry boiling protection function is activated.

EN

Brewing coffee

- Make sure the tap is closed.
- Fill the container with the desired amount of cold water. You can check it using the liquid level indicator. Do not use warm/hot water.
- Place the assembled parts of filter basket with percolator pipe in the container. Make sure they are placed at the bottom centre of the container.
- Add medium to coarse ground coffee evenly on the filter basket. We recommend using 40g of ground coffee with 1 litre of water.
- Put the brewing cover (Only supplied for item: 211342, 211359, 211366) on the filter basket & close with the lid.
- Switch ON the appliance by pressing the switch to the "I" position & green light is on.
- The process of brewing coffee starts, water heat up and flow upwards through the percolator pipe.
- Then, sinks to the bottom, passing through the filter basket with coffee.
- This cycle is repeated with all the coffee starts brewing.

Note:

- Do not fill the appliance beyond the MAX marking on the inner wall of the container.
- It is recommended not to operate the appliance if the liquid level that displayed in the liquid level indicator is too low.
- Do not store the liquid for a long period of time.
- Always close the lid after filling, inserting or removing the filter basket and percolator tube.
- Then, fasten it by turning "clockwise" to lock into place.
- Allow the appliance to cool down and rinse it thoroughly, before starting another brewing cycle.



Switch ON/OFF the appliance

- Plug into a suitable electrical outlet.
- Switch ON the appliance by pressing the switch to the "I" position. Green light will on.
- HEATING indicator will light on in orange.

Note: The heating indicator will be light on and off automatically to indicate the heating function is performed.

After use

- Switch OFF the appliance by pressing the switch to the "0" position & unplug it.

Dispensing

- Place a suitable cup as close as possible under the tap.
 - Push down the lever on the tap to dispense the desired amount of coffee.
 - Pull back the lever after finishing the dispensing.
- Note:** The filled cup will become very hot. Be careful.

Cleaning and Maintenance

Attention: Always unplug the appliance from the electrical power outlet and let it cool down completely before cleaning & storage.

Cleaning

- Clean the appliance before and after each use.
- Never immerse the appliance in water or other liquids.
- Do not clean the appliance with a water jet.
- Flush the tap and the liquid level indicator thoroughly.
- Clean the filter basket, the percolator pipe, lid, brewing cover with warm water and gentle commercially available cleaning agent for professional coffee machines. Follow the manufacturer's instructions.
- All washed parts should be rinsed with clean water to remove the cleaning residues.
- The container should be kept free from ant deposits and coffee residues. It may be easily cleaned inside with the use of gentle cleaning agent and damp cloth.
- Never use abrasive sponges or detergents, steel wool or metallic utensils to clean the interior or exterior parts of the appliance.
- Wipe the exterior surface of the container with soft, damp cloth.
- Finally, dry all the cleaned parts & surfaces with soft cloth.

EN

Descaling

- Descale the appliance regularly. The descaling intervals depend on water hardness and frequency of use. Use only commercially available descaling agents and follow the instructions of the manufacturer.
 - Fill the container with water and appropriate amount of descaling agent up to MAX level.
 - Start boiling the solution.
 - After boiling, dispose of the solution of water and descaling agent properly.
- Rinse the container and boil twice to remove any residues.
- Finally, dry all cleaned parts and surfaces with soft cloth.

Storage

- Before storage, always make sure the appliance has already been disconnected from the electrical outlet and cooled down completely.
- Store the appliance in a cool, clean and dry place.



Troubleshooting

If the appliance does not function properly, please check the below table for the solution. If you are still unable to solve the problem, please contact the supplier/service provider.

Problems	Possible causes	Possible solutions
The appliance is connected to the power supply but the heating indicator does not light up.	Power plug is not connected properly to the electrical power supply outlet.	Check again to make sure it is connected properly.
	Heating indicator defective.	Contact the supplier.
	Hi-limiter (Thermal cut-out) is activated.	Unplug the appliance & let it cool down completely. Then, start operation again.
The appliance does not heat up but the heating indicator light up.	Heating element defective	Contact the supplier.

Technical specification

Single-walled liquid boilers (Drip tray & brewing cover not supplied)

Item no.	211311	211328	211335
Operating voltage and frequency	220-240V~ 50 / 60 Hz		
Rated input power	950W	1,650W	1,650W
Approx. capacity	8L ± 0.5L	12L ± 1L	16L ± 1L
Protection class	Class I		
Approx. time to brew coffee	32 ± 5 min	35 ± 5 min	40 ± 5 min

Double-walled liquid boilers (Drip tray & brewing cover supplied)

Item no.	211342	211359	211366
Operating voltage and frequency	220-240V~ 50 / 60 Hz		
Rated input power	950W	950W	1,650W
Approx. capacity	6L ± 1.5L	12L ± 2L	16L ± 2L
Protection class	Class I		
Approx. time to brew coffee	26 ± 5 min	32 ± 5 min	37 ± 5 min

Remark: Technical specification is subjected to change without prior notification

Warranty

Any defect affecting the functionality of the appliance which becomes apparent within one year after purchase will be repaired by free repair or replacement provided the appliance has been used and maintained in accordance with the instructions and has not been abused or misused in any way. Your statutory rights are not affected. If the appliance is claimed under warranty, state where and

when it was purchased and include proof of purchase (e.g. receipt).

In line with our policy of continuous product development we reserve the right to change the product, packaging and documentation specifications without notice.



Discarding & Environment

At the end of the life of the appliance, please dispose of the appliance according to the regulations and guidelines applicable at the time.

Throw packing materials like plastic and boxes in the appropriate containers.



Sehr geehrte Kundin, sehr geehrter Kunde,

wir danken Ihnen für den Kauf des Gerätes Hendi. Machen Sie sich bitte mit dieser Anleitung noch vor der Inbetriebnahme des Gerätes vertraut, um Schäden durch die unsachgemäße Bedienung zu vermeiden. Den Sicherheitsregeln ist besondere Aufmerksamkeit zu widmen.

Sicherheitsregeln

- Die unsachgemäße Bedienung des Geräts kann zur schweren Beschädigung des Geräts sowie zu Verletzungen führen.
- Das vorliegende Gerät ist ausschließlich für den gewerblichen Gebrauch bestimmt und darf nicht im Haushalt verwendet werden.
- Das Gerät ist ausschließlich zu dem Zweck zu benutzen, zu dem es hergestellt wurde. Der Hersteller haftet nicht für Schäden, die auf unsachgemäße Bedienung des Geräts zurückzuführen sind.
- Den Kontakt des Gerätes und des Steckers mit Wasser oder einer anderen Flüssigkeit vermeiden. Den Stecker unverzüglich aus dem Stecker ziehen und das Gerät von einem anerkannten Fachmann prüfen lassen, wenn das Gerät unbeabsichtigterweise ins Wasser fällt. Bei Nichteinhaltung dieser Sicherheitsvorschriften besteht Lebensgefahr.
- Nie eigenständig das Gehäuse des Gerätes zu öffnen versuchen.
- In das Gehäuse des Gerätes keine Gegenstände einführen.
- Den Stecker nicht mit nassen oder feuchten Händen berühren.
- **Gefahr eines Stromschlags!** Das Gerät darf nicht selbstständig repariert werden. Sämtliche Mängel und Unzulänglichkeiten sind ausschließlich durch qualifiziertes Personal zu beseitigen.
- **Niemals ein beschädigtes Gerät benutzen!** Das beschädigte Gerät vom Netz trennen und sich mit dem Verkäufer in Verbindung setzen.
- **Warnung:** Die Elektroteile des Gerätes dürfen weder in Wasser noch in andere Flüssigkeiten getaucht werden. Ebenso ist das Gerät nicht unter fließendes Wasser zu halten.
- Der Stecker und die Stromversorgungsleitung sind regelmäßig auf Beschädigungen zu prüfen. Der beschädigte Stecker oder Leitung sind an eine Servicestelle oder einer anderen qualifizierten Person zur Reparatur zu übergeben, um eventuellen Gefahren und Verletzungen des Körpers vorzubeugen.
- Man muss sich davon überzeugen, ob die Stromversorgungsleitung weder mit scharfkantigen noch mit heißen Gegenständen in Berührung kommt; halten Sie die Leitung weit entfernt von einer offenen Flamme. Um den Stecker aus der Netzsteckdose zu nehmen, muss man immer am Stecker und nicht an der Leitung ziehen.
- Die Stromversorgungsleitung (oder Verlängerungsleitung) ist vor dem zufälligen Herausziehen aus der Steckdose zu schützen. Die Stromversorgungsleitung muss so geführt werden, dass niemand zufällig darüber stolpern kann.
- Das Gerät muss während seiner Anwendung ständig kontrolliert werden.
- **Warnung!** Wenn der Stecker in der Netzsteckdose ist, muss man das Gerät als an die Stromversorgung angeschlossen betrachten.

DE



- Bevor der Stecker aus der Netzsteckdose genommen wird, ist das Gerät auszuschalten.
- Das Gerät darf beim Tragen nicht an der Leitung gehalten werden.
- Benutzen Sie kein Zubehör, das nicht mit diesem Gerät mitgeliefert wurde.
- Das Gerät muss man ausschließlich an die Steckdose mit solch einer Spannung und Frequenz anschließen, wie auf dem Typenschild angegeben wird.
- Stecken Sie den Stecker in die Steckdose, die an einem leicht und bequem zugänglichen Ort angeordnet ist, und zwar so, dass das Gerät bei einer Störung sofort abgeschaltet werden kann. Um das Gerät vollständig auszuschalten, muss man es von der Stromquelle trennen. Zu diesem Zweck muss man den Stecker, der sich am Ende der vom Gerät getrennten Leitung befindet, aus der Netzsteckdose ziehen.
- Vor dem Abtrennen des Steckers ist das Gerät auszuschalten!
- Benutzen Sie kein Zubehör, das nicht vom Hersteller empfohlen wird. Die Anwendung vom nicht empfohlenen Zubehör stellt eine Gefahr für den Nutzer dar und kann zur Beschädigung des Gerätes führen. Benutzen Sie ausschließlich Ersatzteile und Zubehör im Original.
- Dieses Gerät eignet sich nicht für den Gebrauch durch Personen (gilt auch für Kinder) mit geringerer Motorik, Sensorik oder geistiger Fähigkeit oder mangelhafter Erfahrung und Wissen.
- Auf keinen Fall darf das Bedienen des Gerätes durch Kinder zugelassen werden.
- Das Gerät mit Stromversorgungsleitung ist außerhalb der Reichweite von Kindern zu lagern.
- Ebenso muss dafür gesorgt werden, dass die Kinder das Gerät nicht zum Spielen benutzen.
- Das Gerät ist immer dann von der Stromversorgung zu trennen, wenn es ohne Aufsicht bleiben soll bzw. auch vor der Montage, Demontage und Reinigung.
- Während der Nutzung darf das Gerät nicht ohne Aufsicht gelassen werden.

Besondere Sicherheitshinweise

- Das Gerät dient zum Kaffeekochen. Es ist für den gewerblichen Gebrauch bestimmt und dient nur zum Kochen des Kaffees bzw. dass er in der zum Trinken entsprechenden Temperatur gehalten wird. Das Gerät funktioniert entsprechend wie beim Erhitzen von Milch, Trinkschokolade und anderen Getränken. Seine Anwendung zu irgendeinem anderen Zweck kann zu seiner Beschädigung oder zu Körperverletzungen führen.
- Benutzen Sie das Gerät nicht zur Zubereitung von Lebensmittelprodukten, zur Aufbewahrung und Erhitzen leicht brennbarer bzw. gefährlicher oder brennbarer Flüssigkeiten, Stoffe usw.
- Das Gerät darf außerdem nur entsprechend der Anleitung verwendet werden.
- Außerdem sollte der Spender nur von geschultem Küchenpersonal von Restaurants, Kantinen oder von Bedienpersonal einer Imbissstube, usw. bedient und gewartet werden. Ebenso darf das Gerät nur dann durch andere Personen vor Ort bedient werden, wenn die Kontrolle seiner Nutzung möglich ist, z.B. in Restaurants und Hotels.
- Die Umgebungstemperatur sollte an der Stelle, wo das Gerät in Betrieb ist, von 15 °C bis 30 °C betragen.



-  **Achtung! Heiße Fläche!** Die Temperatur der während der Nutzung zugänglichen Berührungsflächen ist sehr hoch. Berühren Sie ausschließlich die Griffe, den Schalter und den Temperaturregler.
- Stellen Sie den Spender nicht auf einem Objekt ab, das Wärme ausstrahlt (Gas- und Elektrokoher, Grill, usw.). Dabei muss man ebenso das Gerät von heißen Flächen oder offener Flamme fernhalten. Das Gerät sollte man auf eine ebene, stabile, saubere und trockene, gegen hohe Temperaturen beständige Fläche stellen und bedienen.
- Um Unfälle zu vermeiden, darf man den Spender nicht auf die Kante der Arbeits- bzw. Tischplatte stellen. Überzeugen Sie sich, ob die Fläche, auf die das Gerät gestellt werden soll, auch zum Halten eines gefüllten Gerätes geeignet ist.
- Der Spender darf nicht über das gekennzeichnete Niveau MAXIMAL hinaus gefüllt werden. Eine Überfüllung des Gerätes kann zu Spritzern und Verbrennungen führen. Der Wasserstand im Gerät ist regelmäßig zu überprüfen, um das Erhitzen des leeren Behälters zu vermeiden. Wenn sich kein Wasser im Behälter befindet, darf das Gerät nicht in Betrieb genommen werden.
- Das Gerät darf auch nicht in der Nähe von explosiven oder leicht brennbaren Materialien, Zahlkarten, Magnetplatten oder Rundfunkempfängern benutzt werden.
- Der Spender ist für die Bedienung mit Hilfe einer externen Schaltuhr oder eines gesonderten Fernsteuerungssystems nicht geeignet.
- **WARNUNG:** Die Abdeckung des Gerätes ist während des Funktionsbetriebes weder abzunehmen noch zu öffnen. Aus dem geöffneten Gerät kann Dampf entweichen, der wiederum zur Entstehung von Verbrennungen führen kann.
- Rundum das Gerät muss man einen Freiraum von mindestens 20 cm absichern, um so die richtige Belüftung während des Betriebes zu gewährleisten.
- Das Gerät darf weder mit einem Wasserstrahl unter Druck noch mit Hilfe eines Dampfreinigers gereinigt werden bzw. auch nicht mit Wasser gespült werden, da dies zu Feuchtigkeit oder Eintauchen der Innenteile des Gerätes führt, was letztendlich mit einem Stromschlag enden kann.
- **Hinweis!** Die Stromversorgungsleitung muss man entsprechend führen und sichern, um einem zufälligen Ziehen oder Berühren der erhitzten Fläche vorzubeugen.
- Der Spender darf nicht umhergetragen werden, wenn er mit Wasser gefüllt ist (heißes oder kaltes), und zwar in Bezug auf sein Gewicht.
- Außerdem darf das Gerät weder gereinigt noch am Lagerort abgestellt werden, bevor es nicht völlig abgekühlt ist.

DE

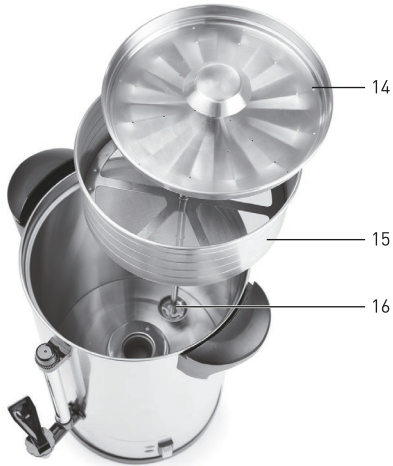
Montage der Erdung

Der Spender ist ein Gerät der I. Schutzklasse und erfordert eine Erdung. Die Erdung verringert das Risiko eines Stromschlags, weil ein Leiter zum Ableiten des elektrischen Stroms verwendet wird. Das Gerät ist mit einer Erdungsleitung und mit einem

Erdungsstecker ausgerüstet. Der Stecker muss an die Netzsteckdose angeschlossen werden, die entsprechend montiert und geerdet wurde.



Hauptteile des Gerätes



1. Kontrolllampe RESET (rot)
2. Kontrolllampe Erhitzen (orange)
3. Dosiereinrichtung
4. Hebel der Dosiereinrichtung
5. Wasserstandsanzeige
6. Griffe zum Anheben (an beiden Seiten)
7. Schnappverschlüsse an den Griffen (an beiden Seiten)
8. Dampfaustritt (an beiden Seiten)
9. Griff der Abdeckung

10. Abdeckung
11. Behälter
12. Schalter ON/OFF (grün)
13. Tropfschale (nur bei den Modellen 211342, 211359, 211366)
14. Korbabdeckung (nur bei den Modellen 211342, 211359, 211366)
15. Korb mit Filter
16. Rohr des Kaffeeperkolators

Hinweis: Der Inhalt der vorliegenden Anleitung bezieht sich auf alle aufgeführten Modelle, wenn nicht anders festgelegt. Das Aussehen des Gerätes kann sich von dem auf den Abbildungen dargestellten unterscheiden.

Vor erstem Gebrauch

- Verpackung und Sicherungen abnehmen und wegwerfen.
- Es ist zu prüfen, ob das Gerät nicht beschädigt ist. Bei einer unvollständigen Lieferung oder Beschädigungen darf das Gerät NICHT benutzt werden. Setzen Sie sich mit dem Lieferanten in Verbindung (Siehe ==> Garantie).
- Das Gerät ist vor dem Gebrauch zu reinigen (Siehe ==> Reinigung und Wartung).
- Weiterhin ist zu prüfen, ob der Spender völlig trocken ist.
- Stellen Sie das Gerät auf eine waagerechte stabile Fläche, die gegen die Einwirkung hoher Temperaturen und Spritzer von Flüssigkeiten beständig ist.


- Außerdem sind eine entsprechende Belüftung sowie ein Freiraum mit einem Abstand von mindestens 20 cm rundum das Gerät abzusichern.

Hinweis: Auf Grund von ev. Rückständen aus dem Produktionsprozess kann während der ersten Inbetriebnahmen ein schwacher, spezifischer Geruch und Dampf aus dem Gerät entweichen. Das ist eine ganz normale Erscheinung und zeugt weder von einer Beschädigung des Gerätes noch von einer Gefahr für den Nutzer. Nach den ersten Kochzyklen ist das Wasser abzugießen, um sämtliche Rückstände aus dem Produktionsprozess zu beseitigen.



Bedienung

Funktionen der Hauptbestandteile des Gerätes

Teil	Funktion
	Schalter ON/OFF - Inbetriebnahme oder Ausschalten des Gerätes. - Nach der Inbetriebnahme des Gerätes leuchtet der Schalter grün auf. Hinweis: Der Schalter leuchtet dann nicht grün auf, wenn die Sicherung vor dem Erhitzen des leeren Behälters anspricht.
Kontrolllampe (2)	Kontrolllampe - Sie leuchtet in orange, wenn der Prozess zum Erhitzen gestartet wurde.
Kontrolllampe RESET (1)	Kontrolllampe RESET - Sie leuchtet in rot, wenn die Sicherung vor dem Erhitzen des leeren Behälters angesprochen hat.

Kaffeekochen

- Überzeugen Sie sich, dass die Dosiereinrichtung geschlossen ist.
- Den Behälter mit kaltem Wasser füllen. Den Wasserstand prüft man mit der Anzeige. In den Behälter darf weder warmes noch heißes Wasser eingießen.
- Die zusammengelegten Teile des Korbes mit dem Filter und das Rohr des Kaffeeperkolators in den Behälter legen. Sie sollten sich in der Mitte des Behälterbodens befinden.
- Der grob oder mittelmäßig gemahlene Kaffee wird in den Korb des Filters geschüttet und gleichmäßig verteilt. Es wird empfohlen, dass auf 1 Liter Wasser im Behälter 40 g gemahlene Kaffee gegeben werden.
- Jetzt setzt man die Abdeckung auf den Filterkorb (nur bei den Modellen 211342, 211359 und 211366) und die Abdeckung des Kaffeeperkolators wird geschlossen.
- Durch Drücken des Schalters ON/OFF – Einstellen in der Position „I“ – wird das Gerät eingeschaltet und die grüne Kontrolllampe leuchtet auf.
- Es beginnt der Prozess des Kaffeekochens – das Wasser erhitzt sich und hebt sich durch das Rohr des Kaffeeperkolators.
- Anschließend fließt es auf den Boden durch den Filterkorb mit dem Kaffee.
- Der Zyklus wird mehrfach wiederholt, bis der ganze Kaffee aufgebraut ist.

Hinweis:

- Das Gerät darf nicht über das Niveau von MAXIMAL gefüllt werden, das auf der Innenseite des Behälters gekennzeichnet ist.
- Eine Benutzung des Gerätes, wenn das in der Anzeige dargestellte Niveau zu niedrig ist, wird nicht empfohlen.
- Für längere Zeit darf keine Flüssigkeit im Behälter gelassen werden.
- Nach dem Füllen des Behälters, dem Einlegen oder Herausnehmen des Filterkorbes und des Rohres des Kaffeeperkolators ist die Abdeckung immer zu schließen.
- Jetzt blockiert man, in dem sie im Uhrzeigersinn verdreht wird.
- Es ist außerdem abzuwarten, bis das Gerät völlig abgekühlt ist und dann muss man es vor jedem Gebrauch genau abwaschen.



Ein-/Ausschalten des Gerätes

- Das Gerät ist an die entsprechende Netzsteckdose anzuschließen.
- Durch Drücken der Taste ON/OFF – Einstellen in die Position „I“ – wird das Gerät eingeschaltet. Der Schalter ON/OFF leuchtet grün auf.
- Es leuchtet die Kontrolllampe für die Betriebsart des ERHITZENS auf.

Hinweis: Die Kontrolllampe für die Betriebsart des Erhitzens wird automatisch blinken, was bedeutet, dass die Betriebsart des Erhitzens gestartet wurde.

Nach dem Gebrauch

- Durch das Einstellen des Schalters auf die Position „0“, wird das Gerät ausgeschaltet und von der Stromversorgungsquelle getrennt.

Eingießen des Getränkes

- Man stellt einen Becher oder eine Tasse unter die Dosiereinrichtung, und zwar so nahe wie möglich zum Spender.
- Drücken Sie den Hebel der Dosiereinrichtung, um die entsprechende Menge an Kaffee aufzugießen.

- Nach dem Beenden des Eingießens ist der Hebel nach hinten wegzuschieben.

Hinweis: Der gefüllte Becher/Tasse kann sich stark erhitzen. Bitte vorsichtig sein.

Reinigung und Wartung

Hinweis: Vor Beginn der Reinigung und dem Aufstellen des Gerätes am Lagerort muss man es immer von der Stromversorgungsquelle trennen und abwarten, bis es abgekühlt ist.

Reinigung

- Das Gerät ist vor und nach jedem Gebrauch genau zu waschen.
- Es darf weder in Wasser noch in andere Flüssigkeiten getaucht werden.
- Das Reinigen des Gerätes darf nicht mit einem Wasserstrahl erfolgen.
- Ebenso ist die Dosiereinrichtung und die Füllstandsanzeige genau zu reinigen.
- Ebenso muss man den Filterkorb, das Rohr des Kaffeepkolators, die Abdeckung des Kaffeepkolators, bzw. die Abdeckung des Filterkorbes mit heißem Wasser und mit einem milden, allgemein erhältlichen Reinigungsmittel säubern, das zum Waschen von professionellen Kaffeemaschinen bestimmt ist. Verfahren Sie entsprechend den Vorgaben des Herstellers.
- Alle Teile des Gerätes muss man gründlich abspülen, damit die Rückstände des Reinigungsmittels beseitigt werden.

- Im Behälter dürfen weder irgendwelche Niederschläge noch Kaffeerückstände verbleiben. Das Innere des Behälters kann man leicht mit einem milden Reinigungsmittel und feuchten Lappen reinigen.
- Zum Reinigen der inneren und äußeren Teile des Kaffeepkolators darf man niemals weder einen rauen Schwamm noch ätzende Reinigungsmittel sowie auch keinen Schwamm aus Stahlwolle oder Metallzubehör verwenden.
- Die Außenflächen des Gerätes sind mit einem weichen und feuchten Tuch abzuwischen.
- Am Ende sind alle gereinigten Teile und Flächen des Gerätes mit einem weichen Tuch trocken zu reiben.



Entkalkung

- Das Gerät muss man regelmäßig entkalken. Die Häufigkeit der Entkalkung hängt vom Härtegrad des Wassers und der Einsatzfrequenz des Gerätes ab. Benutzen Sie nur die allgemein erhältlichen Entkalkungsmittel und verfahren Sie entsprechend der Anleitung des Herstellers.
 - Man füllt den Behälter mit Wasser und der entsprechenden Menge des Entkalkungsmittels bis zum festgelegten Niveau MAXIMAL.
 - Jetzt wird die Lösung im Behälter gekocht.
- Nach dem Kochen wird die Lösung des Wassers und Entkalkungsmittels entsprechend den Empfehlungen des Herstellers ausgetrocknet.
- Der Behälter ist dann auszuwaschen und zweimal mit Wasser abzukochen, um sämtliche Rückstände des Entkalkungsmittels zu beseitigen.
- Am Ende werden alle gereinigten Teile und Flächen des Gerätes mit einem weichen Tuch trocken zu reiben.

Aufbewahrung

- Vor dem Abstellen am Lagerort muss man sich immer davon überzeugen, ob das Gerät von der Netzsteckdose getrennt und völlig abgekühlt ist.
- Das Gerät ist außerdem an einem kühlen, sauberen und trockenen Ort zu lagern.

Finden und Beseitigen der Mängel

Wenn das Gerät nicht richtig funktioniert, muss man sich zwecks richtiger Lösungsfindung mit nachfolgender Tabelle vertraut machen. Wird das Problem nicht gelöst, setzt man sich mit dem Lieferanten in Verbindung.

Problem	Mögliche Ursachen	Lösungsvorschlag
Der Spender ist an die Stromversorgungsquelle angeschlossen, aber die Kontrolllampe leuchtet nicht.	Der Stecker ist nicht richtig an die Stromversorgungsquelle angeschlossen.	Es ist zu prüfen, ob das Gerät richtig angeschlossen ist.
	Die Kontrolllampe für den Prozess des Erhitzens ist beschädigt.	Man muss sich mit dem Lieferanten in Verbindung setzen.
	Die thermische Sicherung (Schutz vor Überhitzung) hat angesprochen.	Den Stecker von der Steckdose trennen und abwarten, bis das Gerät abgekühlt ist. Nehmen Sie dann das Gerät wieder in Betrieb.
Der Spender erhitzt sich nicht, aber die Kontrolllampe für das Erhitzen leuchtet auf.	Das Heizelement ist beschädigt.	Man muss sich mit dem Lieferanten in Verbindung setzen.

Technische Spezifikation

Getränkspender mit einzelnen Wänden (ohne Tropfschale und Korbabdeckung)

Nr. des Produkts	211311	211328	211335
Betriebsspannung und Frequenz	220-240V~ 50 / 60 Hz		
Nennleistung	950W	1,650W	1,650W
Angenäherte Kapazität	8L ± 0.5L	12L ± 1L	16L ± 1L
Schutzgrad	Klasse I		
Geschätzte Zeit des Kaffeekochens	32 ± 5 Min.	35 ± 5 Min.	40 ± 5 Min.



Double-walled liquid boilers (Drip tray & brewing cover supplied)

Nr. des Produkts	211342	211359	211366
Betriebsspannung und Frequenz	220-240V~ 50 / 60 Hz		
Nennleistung	950W	950W	1,650W
Angenäherte Kapazität	6L ± 1.5L	12L ± 2L	16L ± 2L
Schutzgrad	Klasse I		
Geschätzte Zeit des Kaffeekochens	26 ± 5 Min.	32 ± 5 Min.	37 ± 5 Min.

Hinweis: Die technische Spezifikation kann ohne vorherige Ankündigung verändert werden.

Garantie

Alle innerhalb von einem Jahr nach dem Kaufdatum festgestellten Defekte oder Mängel, die die Funktionalität des Gerätes beeinträchtigen, werden auf dem Wege der unentgeltlichen Reparatur bzw. des Austausches unter der Voraussetzung beseitigt, dass das Gerät in einer der Bedienungsanleitung gemäßen Art und Weise betrieben und gewartet wird und weder vorsätzlich vernichtet noch nicht bestimmungsgemäß genutzt wurde. Ihre Rechte aus den entsprechenden Gesetzen

bleiben davon unberührt. Eine in der Garantiefrist einzureichende Beanstandung hat die Angabe des Kaufortes und Kaufdatums und in der Anlage einen Kaufbeleg (z.B. Kassenzettel) zu enthalten.

Gemäß unserer Politik der ständigen Weiterentwicklung unserer Produkte behalten wir uns vor, Änderungen am Produkt, an seiner Verpackung und an den dokumentierten technischen Daten ohne vorherige Ankündigung vorzunehmen.

Entsorgung und Umweltschutz

Nach Beendigung seiner Lebensdauer ist das Gerät rechtmäßig und den jeweils geltenden Richtlinien entsprechend zu entsorgen.

Verpackungsmaterial, wie Kunststoffe bzw. Schachteln, in die entsprechenden Behälter geben.

DE



Geachte klant,

Hartelijk dank voor de aankoop van dit Hendi apparaat. Leest u deze gebruiksaanwijzing zorgvuldig voordat u het apparaat gebruikt, dit om schade door verkeerd gebruik te voorkomen. Lees vooral de veiligheidsinstructies aandachtig door.

Veiligheidsinstructies

- Onjuiste bediening en verkeerd gebruik van het apparaat kan ernstige schade aan het apparaat en verwonding van personen tot gevolg hebben.
- Dit apparaat mag alleen worden gebruikt voor commerciële doeleinden en mag niet worden gebruikt voor huishoudelijk gebruik.
- Het apparaat mag alleen worden gebruikt voor het doel waarvoor het werd ontworpen. De fabrikant aanvaardt geen enkele aansprakelijkheid voor schade als gevolg van onjuiste bediening en verkeerd gebruik.
- Zorg dat het apparaat en de stekker niet met water of een andere vloeistof in aanraking komen. Mocht het apparaat onverhoopt in het water vallen, trek dan onmiddellijk de stekker uit het stopcontact en laat het apparaat controleren door een erkend vakman. Niet-naleving hiervan kan levensgevaar opleveren.
- Probeer nooit zelf de behuizing van het apparaat te openen.
- Steek geen voorwerpen in de behuizing van het apparaat.
- Raak de stekker niet met natte of vochtige handen aan.
- **Gevaar van elektrische schokken!** Probeer het apparaat niet zelf te repareren. In het geval van storingen, laat reparaties alleen uitvoeren door gekwalificeerd personeel.
- **Gebruik nooit een beschadigd apparaat!** Als het apparaat is beschadigd, haal de stekker dan uit het stopcontact en neem contact op met de winkel.
- **Waarschuwing!** Dompel de elektrische onderdelen van het apparaat niet onder in water of andere vloeistoffen. Houd het apparaat nooit onder stromend water.
- Controleer de stekker en het netsnoer regelmatig op schade. Als de stekker of het netsnoer is beschadigd, moet het worden vervangen door de technische dienst of een soortgelijk gekwalificeerd persoon om gevaar of letsel te voorkomen.
- Zorg ervoor dat het netsnoer niet in contact komt met scherpe of hete voorwerpen en houd het uit de buurt van open vuur. Als u de stekker uit het stopcontact wilt halen, trek dan altijd aan de stekker en niet aan het netsnoer.
- Zorg ervoor dat niemand per ongeluk aan het netsnoer (of verlengsnoer) kan trekken of kan struikelen over het netsnoer.
- Houd het apparaat in de gaten tijdens gebruik.
- **Waarschuwing!** Zolang de stekker in het stopcontact zit, is het apparaat aangesloten op de voedingsbron.
- Schakel het apparaat uit voordat u de stekker uit het stopcontact trekt.
- Draag het apparaat nooit aan het netsnoer.
- Gebruik geen extra hulpmiddelen die niet worden meegeleverd met het apparaat.

NL



- Sluit het apparaat alleen aan op een stopcontact met de spanning en frequentie die is vermeld op het typeplaatje.
- Sluit de stekker aan op een stopcontact dat eenvoudig bereikt kan worden, zodat de stekker in geval van nood onmiddellijk uit het stopcontact kan worden getrokken. Trek de stekker volledig uit het stopcontact om het apparaat volledig uit te schakelen. Gebruik de stekker om het apparaat los te koppelen van het lichtnet.
- Schakel het apparaat altijd uit voordat u de stekker uit het stopcontact trekt.
- Gebruik nooit accessoires die niet worden aanbevolen door de fabrikant. Zij kunnen mogelijk een veiligheidsrisico vormen voor de gebruiker en kunnen het apparaat mogelijk beschadigen. Gebruik alleen originele onderdelen en accessoires.
- Dit apparaat is niet geschikt voor gebruik door personen (inclusief kinderen) met een verminderd fysiek, sensorisch of geestelijk vermogen, of gebrek aan ervaring en kennis.
- Dit apparaat mag onder geen enkele omstandigheid worden gebruikt door kinderen.
- Houd het apparaat en het netsnoer buiten bereik van kinderen.
- Kinderen mogen niet met het apparaat spelen.
- Koppel het apparaat altijd los van het lichtnet als het onbeheerd wordt achtergelaten en voordat het apparaat wordt gemonteerd, gedemonteerd of gereinigd.
- Laat het apparaat nooit onbeheerd achter tijdens gebruik.

Speciale veiligheidsvoorschriften

- Dit apparaat is een koffiepercolator. Het apparaat is uitsluitend bedoeld voor commercieel gebruik en het zetten van koffie en het handhaven van de serveertemperatuur. Het apparaat is niet geschikt voor gebruik met melk of chocolademelk of andere vloeistoffen. Elk ander gebruik kan leiden tot schade aan het apparaat of lichamelijk letsel.
- Gebruik het apparaat niet voor het koken van voedsel, het opslaan en verwarmen van ontvlambare of gevaarlijke vloeistoffen, stoffen, etc.
- Gebruik het apparaat alleen zoals beschreven in deze handleiding.
- Dit apparaat moet worden gebruikt en onderhouden door getraind personeel in keukens van restaurants, kantines of barpersoneel, etc. Het mag worden gebruikt door andere personen op plaatsen waar toezicht is op het gebruik, bijvoorbeeld in eetzaal in restaurants of hotels.
- Dit apparaat is geschikt voor gebruik bij een omgevingstemperatuur van 15°C ~ 30°C.
-  **Let op! Heet oppervlak!** De temperatuur van het bereikbare oppervlak is zeer hoog tijdens gebruik. Raak alleen de handgrepen, schakelaar & temperatuurknop aan.
- Plaats het apparaat niet op een verwarmingsvoorwerp (kooktoestel op benzine, elektriciteit, houtskool, etc.). Houd het apparaat uit de buurt van warme oppervlakken en open vuur. Gebruik het apparaat altijd op een vlakke, stabiele, schone, hittebestendige en droge ondergrond.
- Plaats het apparaat niet op de rand van een aanrecht of tafel om ongelukken te voorkomen. Zorg er ook voor dat het oppervlak waarop het apparaat wordt geplaatst het totale gewicht van het apparaat met vloeistof kan dragen.



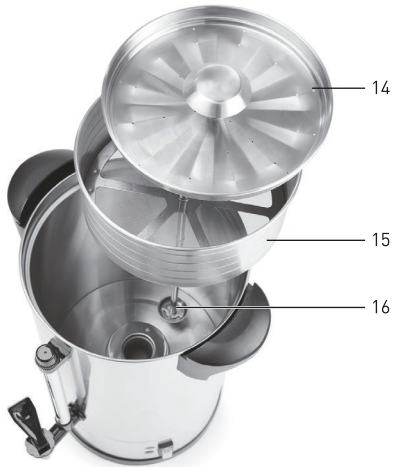
- Vul het apparaat nooit tot boven de MAX-vulmarkering. Het te hoog vullen kan resulteren in spatten en brandwonden. Controleer het waterniveau regelmatig om droogkoken te voorkomen. Gebruik het apparaat nooit als er geen vloeistof in de ketel zit.
- Gebruik het apparaat niet in de buurt van explosieve of ontvlambare materialen, credit-cards, magnetische schijven of radio's.
- Dit apparaat is niet bedoeld om gebruikt te worden in combinatie met een externe timer of apart afstandsbedieningssysteem.
- **WAARSCHUWING:** Verwijder of open het deksel nooit terwijl het apparaat in gebruik is. Er kan stoom uit het apparaat ontsnappen en dit kan brandwonden veroorzaken.
- Laat tijdens gebruik minimaal 20 cm ruimte vrij rond het apparaat voor ventilatie.
- Gebruik geen waterstralen of stoomreiniger en spoel niet rechtstreeks af met water, omdat de onderdelen van het apparaat nat kunnen worden en dit kan leiden tot elektrische schokken.
- **Let op!** Plaats het netsnoer indien nodig op een veilige manier om te voorkomen dat het in contact kon komen met het verwarmingsoppervlak en dat er per ongeluk aan het netsnoer kan worden getrokken.
- Probeer het apparaat niet te verplaatsen als het gevuld is met warm of koud water, omdat het apparaat in dit geval zwaar is.
- Reinig of berg het apparaat niet op, tenzij het volledig is afgekoeld.

Installatie met aarding

TDit apparaat is geclassificeerd als beschermingsklasse I en moet worden aangesloten op een aansluiting met aarde. Aarding verlaagt de kans op elektrische schokken doordat elektrische stroom via een ontsnappingsdraad kan weglopen. Dit ap-

paraat is uitgerust met een snoer met een aarde-draad en een geaarde stekker. De stekker moet in een stopcontact worden gestoken dat juist is geïnstalleerd en geaard.

Belangrijkste onderdelen van het apparaat



1. RESET-indicator (rood)
2. Verwarmingsindicator (oranje)
3. Kraan
4. Hendel
5. Vloeistofniveau-indicator
6. Handgreep voor optillen (aan beide kanten)
7. Vergrendelingspal handgreep (aan beide kanten)
8. Stoomopening (aan beide kanten)
9. Handgreep deksel
10. Deksel

11. Ketel
12. AAN/UIT-knop (groen)
13. Lekbak (alleen voor item 211342, 211359, 211366)
14. Koffiezetdeksel (alleen voor item 211342, 211359, 211366)
15. Filtermand
16. Percolatorbuis

Opmerking: De inhoud van deze handleiding is van toepassing op alle vermelde items, tenzij anders aangegeven. Het design en uiterlijk van het product kan afwijken van de getoonde illustraties.

Vorbereidingen voor het eerste gebruik

- Verwijder alle verpakkingsmaterialen.
- Controleer of het apparaat onbeschadigd is. Gebruik het apparaat NIET in geval van een onvolledige levering of schade. Neem contact op met de leverancier (Zie ==> Garantie).
- Reinig het apparaat voor gebruik (Zie ==> Reiniging en onderhoud).
- Zorg ervoor dat het apparaat volledig droog is.
- Plaats het apparaat op een vlakke, stabiele en hittebestendige ondergrond uit de buurt van waterspatten.


- Zorg ervoor dat er voldoende ventilatie is. Houd een minimale afstand van 20 cm vrij rond het apparaat.

Opmerking: Door het fabricageproces kan het apparaat de eerste gebruikscyclus een lichte geur en rook afgeven. Dit is normaal en duidt niet op een defect of gevaar. Giet het water van de eerste gebruikscyclus weg om de resten van het fabricageproces te verwijderen.



Bediening

Functies van belangrijkste onderdelen

Onderdeel	Functie
	AAN/UIT-knop - Schakel het apparaat in of uit. - Het groene lampje licht op als het apparaat is ingeschakeld. Opmerking: Het groene indicatielampje licht niet op als de droogkookbeveiliging is geactiveerd.
Verwarmingsindicator (2)	Verwarmingsindicator - Licht oranje op om aan te geven dat de verwarmingsfunctie is geactiveerd.
RESET-indicator (1)	Reset-indicator - Licht rood op om aan te geven dat de droogkookbeveiliging is geactiveerd.

Koffiezetten

- Zorg ervoor dat de kraan is gesloten.
- Vul de ketel met de gewenste hoeveelheid koud water. U kunt het waterniveau controleren met behulp van de vloeistofniveau-indicator. Gebruik geen warm/heet water.
- Plaats de gemonteerde delen van de filtermand met percolatorbuis in de ketel. Zorg ervoor dat ze midden onderin de ketel worden geplaatst.
- Voeg medium tot grof gemalen koffie gelijkmatig toe op de filtermand. We raden aan 40g gemalen koffie te gebruiken met 1 liter water.
- Plaats het koffiezetdeksel (alleen meegeleverd voor item: 211342, 211359, 211366) op de filtermand & sluit met het deksel.
- Schakel het apparaat in door de aan/uit-knop in de stand "I" te zetten & het groene indicatielampje licht op.
- Het koffiezetproces start, het water wordt verwarmt en stroomt omhoog door de percolatorbuis.
- Daarna zakt het naar beneden en gaat het door de filtermand met koffie.
- Dit cyclus wordt herhaald totdat de koffie is gezet.

Het apparaat AAN/UIT zetten

- Steek de stekker in een geschikt stopcontact.
- Schakel het apparaat in door de aan/uit-knop in de stand "I" te zetten. Het groene lampje licht op.
- De oranje verwarmingsindicator licht op.

Na gebruik

- Schakel het apparaat uit door de aan/uit-knop in de stand "0" te zetten & trek de stekker uit het stopcontact.

Opmerking:

- Vul het apparaat nooit tot boven de MAX-vulmarkering op de binnenwand van de ketel.
- Het wordt aanbevolen het apparaat niet te gebruiken als het vloeistofniveau dat wordt getoond op de vloeistofniveau-indicator te laag is.
- Bewaar de vloeistof niet voor lange periodes in de ketel.
- Sluit het deksel altijd na het vullen, het plaatsen of verwijderen van de filtermand en percolatorbuis.
- Zet het deksel daarna vast op zijn plaats door het met de klok mee te draaien.
- Laat het apparaat afkoelen en spoel het grondig voordat u een nieuw koffiezetcyclus start



- **Opmerking:** De verwarmingsindicator gaat automatisch aan en uit om aan te geven dat de verwarmingsfunctie wordt uitgevoerd.

Afgifte

- Plaats een geschikte beker zo dicht mogelijk onder de kraan.
- Druk de hendel op de kraan omlaag om de gewenste hoeveelheid koffie af te geven.
- Trek de hendel terug naar boven nadat de afgifte is voltooid.

Opmerking: De gevulde beker wordt erg heet. Wees voorzichtig.

Reiniging en onderhoud

Let op: Trek de stekker van het apparaat altijd uit het stopcontact en laat het apparaat afkoelen alvorens het apparaat te reinigen & op te bergen.

Reiniging

- Reinig het apparaat grondig voor en na elk gebruik.
- Dompel het apparaat nooit onder in water of andere vloeistoffen.
- Reinig het apparaat niet met een waterstraal.
- Spoel de kraan en vloeistofniveau-indicator grondig.
- Reinig de filtermand, percolatorbuis, deksel, koffiezetdeksel met warm water en een zacht in de handel verkrijgbaar reinigingsmiddel voor professionele koffiezetapparaten. Volg de instructies van de fabrikant.
- Alle gewassen onderdelen moeten worden gespoeld met schoon water om reinigingsresten te verwijderen.
- De ketel moet vrij van afzettingen en koffieresten worden gehouden. De binnenkant van de ketel kan eenvoudig worden gereinigd met behulp van een zacht reinigingsmiddel en vochtige doek.
- Gebruik nooit schurende sponsjes of reinigingsmiddelen, staalwol of metalen hulpmiddelen om de onderdelen aan de binnen- of buitenkant van het apparaat te reinigen.
- Veeg de buitenkant van de ketel af met een zachte, vochtige doek.
- Droog tot slot alle onderdelen & oppervlakken die zijn gereinigd af met een zachte doek.

Ontkalken

- Ontkalk het apparaat regelmatig. De ontkalkingsintervallen zijn afhankelijk van de hardheid van het water en de gebruiksfrequentie. Gebruik alleen in de handel verkrijgbare ontkalkingsmiddelen en volg de instructies van de fabrikant.
 - Vul de ketel met water en een geschikte hoeveelheid ontkalkingsmiddel tot het MAX-niveau.
 - Start met het koken van de oplossing.
- Na het koken moet u de oplossing van water en ontkalkingsmiddel op de juiste manier weggieten.
- Spoel de ketel en kook twee keer een ketel water om alle resten te verwijderen.
- Droog, tot slot, alle gereinigde onderdelen en oppervlakken af met een zachte doek.

Opslag

- Zorg er voordat u het apparaat opbergt altijd voor dat de stekker van het apparaat uit het stopcontact is getrokken en dat het apparaat volledig is afgekoeld.
- Berg het apparaat op een koele, schone en droge plek op.



Problemen oplossen

Als het apparaat niet naar behoren functioneert, raadpleeg dan de onderstaande tabel voor een oplossing.

Als u het probleem nog steeds niet kunt oplossen, neem contact op met de leverancier/dienstverlener.

Probleem	Mogelijke oorzaak	Mogelijke oplossing
Het apparaat is aangesloten op het lichtnet, maar de verwarmingsindicator licht niet op.	Stekker is niet juist aangesloten op het stopcontact.	Controleer nogmaals en zorg ervoor dat de stekker juist is aangesloten op het stopcontact.
	Verwarmingsindicator defect.	Neem contact op met de leverancier
	Maximaalbeveiliging (thermische beveiliging) is geactiveerd.	Trek de stekker uit het stopcontact & laat het apparaat volledig afkoelen. Gebruik het apparaat daarna opnieuw.
Het apparaat verwarmt niet, maar de verwarmingsindicator licht wel op.	Verwarmingselement defect	Neem contact op met de leverancier

Technische specificaties

Enkelwandige ketels (lekbak & koffiezetdeksel niet meegeleverd)

Item nr.	211311	211328	211335
Bedrijfsspanning en frequentie	220-240V~ 50 / 60 Hz		
Nominaal ingangsvermogen	950W	1,650W	1,650W
Capaciteit	8L ± 0.5L	12L ± 1L	16L ± 1L
Beschermingsklasse	Klasse I		
Benodigde tijd voor zetten koffie (bij benadering)	32 ± 5 min	35 ± 5 min	40 ± 5 min

Dubbelwandige ketels (lekbak & koffiezetdeksel meegeleverd)

Item nr.	211342	211359	211366
Bedrijfsspanning en frequentie	220-240V~ 50 / 60 Hz		
Nominaal ingangsvermogen	950W	950W	1,650W
Capaciteit	6L ± 1.5L	12L ± 2L	16L ± 2L
Beschermingsklasse	Klasse I		
Benodigde tijd voor zetten koffie (bij benadering)	26 ± 5 min	32 ± 5 min	37 ± 5 min

Opmerking: Technische specificaties onderhevig aan verandering zonder voorafgaande kennisgeving.

Garantie

Elk defect waardoor de werking van het apparaat nadelig wordt beïnvloed dat zich binnen één jaar na aankoop van het apparaat voordoet, wordt gratis hersteld door reparatie of vervanging, mits het apparaat conform de instructies is gebruikt en onderhouden en niet op enigerlei wijze verkeerd is behandeld of misbruikt. Dit laat onverlet uw bij wet bepaalde rechten. Als de garantie van kracht is, vermeld dan waar en wanneer u het apparaat

hebt gekocht en sluit een aankoopbewijs bij (bijv. kassabon of factuur).

Gezien ons streven naar voortdurende verdere productontwikkeling behouden wij ons het recht voor, zonder voorafgaande kennisgeving wijzigingen aan te brengen aan product, verpakking en documentatie.

Afdanken & Milieu

Aan het einde van de levensduur, het apparaat afdanken volgens de op dat moment geldende voorschriften en richtlijnen.

Werp verpakkingsmateriaal zoals plastic en dozen in de daarvoor bestemde containers.



Szanowny Kliencie,

Dziękujemy za zakup urządzenia firmy Hendi. Prosimy o uważne zapoznanie się z niniejszą instrukcją przed podłączeniem urządzenia, aby uniknąć uszkodzeń spowodowanych niewłaściwą obsługą. Należy zwrócić szczególną uwagę na zasady bezpieczeństwa.

WAŻNE ZASADY BEZPIECZEŃSTWA


- Nieprawidłowa obsługa i niewłaściwe użycie mogą spowodować poważne uszkodzenie urządzenia lub zranienie osób.
- Urządzenie stosuj wyłącznie zgodnie z przeznaczeniem. Producent i/lub Sprzedawca nie ponosi żadnej odpowiedzialności za szkody spowodowane nieprawidłową obsługą i niewłaściwym użytkowaniem urządzenia.
- W czasie użycia zabezpiecz urządzenie i wtyczkę kabla zasilającego przed kontaktem z wodą lub innymi płynami. W mało prawdopodobnym przypadku zanurzenia urządzenia w wodzie, natychmiast wyciągnij wtyczkę z kontaktu, a następnie zleć kontrolę urządzenia specjalście. Nieprzestrzeganie tej instrukcji może spowodować zagrożenie życia.
- Nigdy nie otwieraj samodzielnie obudowy urządzenia.
- Nie wtykaj żadnych przedmiotów w obudowę urządzenia.
- Nie dotykaj wtyczki kabla zasilającego wilgotnymi rękami.
- **Ryzyko porażenia prądem!** Regularnie kontroluj stan wtyczki i kabla. W przypadku wykrycia uszkodzenia wtyczki lub kabla, zleć naprawę w wyspecjalizowanym punkcie naprawczym.
- **Nigdy nie używaj uszkodzonego urządzenia!** W przypadku, gdy urządzenie spadnie lub ulegnie uszkodzeniu w inny sposób, przed dalszym użyciem zawsze zleć przeprowadzenie kontroli i ewentualną naprawę w wyspecjalizowanym punkcie naprawczym.
- **Ostrzeżenie!** Nie zanurzaj elektrycznych części urządzenia w wodzie lub w innych płynach. Nigdy nie trzymaj urządzenia pod bieżącą wodą.
- Nigdy nie naprawiaj urządzenia samodzielnie może to spowodować zagrożenie życia.
- Chronь kabel zasilający przed kontaktem z ostrymi lub gorącymi przedmiotami i chronь go przed otwartym ogniem. Jeżeli chcesz odłączyć urządzenie z kontaktu, zawsze chwytaj za wtyczkę, nigdy nie ciągnij za kabel.
- Zabezpiecz kabel (lub przedłużacz), aby nikt przez omyłkę nie wyciągnął go z kontaktu ani się o niego nie potknął.
- Urządzenie powinno być używane tylko do celów, dla których zostały pierwotnie zaprojektowane.
- Kontroluj funkcjonowanie urządzenia w czasie użytkowania.
- Dzieci nie uświadamiają sobie zagrożeń, jakie może spowodować użycie urządzeń elektrycznych. Nigdy nie pozwalaj dzieciom posługiwać się elektrycznymi urządzeniami gospodarstwa domowego bez nadzoru.
- Gdy urządzenie nie jest używane oraz zawsze przed czyszczeniem, odłącz je od źródła zasilania, wyciągając wtyczkę z kontaktu.
- Uwaga! Jeżeli wtyczka kabla zasilającego jest podłączona do kontaktu, urządzenie cały czas pozostaje pod napięciem.

PL



- Wyłącz urządzenie, zanim wyciągniesz wtyczkę z kontaktu.
- Nigdy nie przenoś urządzenia za kabel zasilający.
- Nie używaj akcesoriów innych niż dostarczone z urządzeniem.
- Urządzenie można podłączać wyłącznie do gniazda o napięciu i częstotliwości zgodnej z danymi znajdującymi się na tabliczce znamionowej.
- Unikaj przeciążenia.
- Po użyciu wyłącz urządzenie wyjmując wtyczkę z gniazda.
- Instalacja elektryczna musi odpowiadać krajowym i lokalnym przepisom.
- Z urządzenia nie mogą korzystać osoby (także dzieci), u których stwierdzono osłabione zdolności fizyczne, sensoryczne lub umysłowe, albo którym brakuje odpowiedniej wiedzy i doświadczenia, chyba że odbywa się to pod nadzorem lub zgodnie z instrukcjami osoby odpowiedzialnej za ich bezpieczeństwo.

Szczególne przepisy bezpieczeństwa

- Urządzenie służy do zaparzania kawy. Urządzenie przeznaczone jest do użytku komercyjnego i służy wyłącznie do zaparzania kawy i utrzymaniu jej w temperaturze odpowiedniej do picia. Urządzenie jest odpowiednie do podgrzewania mleka, czekolady pitnej i innych napojów. Stosowanie urządzenia w jakimkolwiek innym celu może prowadzić do jego uszkodzenia lub do obrażeń ciała.
- Nie korzystaj z urządzenia w celu przygotowania produktów spożywczych, przechowywania i podgrzewania łatwopalnych, niebezpiecznych lub zapalnych płynów, substancji itp.
- Korzystaj z urządzenia wyłącznie zgodnie z instrukcją.
- Urządzenie powinno być obsługiwane oraz konserwowane wyłącznie przez przeszkolony personel zaplecza kuchennego restauracji, stołówek lub obsługę baru, itp. Urządzenie może być obsługiwane przez inne osoby w miejscu, gdzie możliwe jest nadzorowanie jego użytkowanie, np. w restauracjach lub w hotelach.
- Temperatura otoczenia w miejscu, gdzie urządzenie jest eksploatowane powinna wynosić od 15°C do 30 °C.
-  **Uwaga! Gorąca powierzchnia!** Temperatura dostępnych powierzchni urządzenia w czasie użytkowania jest bardzo wysoka. Dotykaj wyłącznie uchwytów, przetłącznika i pokrętła temperatury.
- Nie umieszczaj urządzenia na obiekcie emitującym ciepło (kuchenka gazowa, elektryczna, grill, itp.). Trzymaj urządzenie z dala od jakichkolwiek gorących powierzchni lub otwartego płomienia. Urządzenie powinno zostać ustawione i być obsługiwane na równej, stabilnej, czystej i suchej powierzchni, odpornej na działanie wysokich temperatur.
- Aby uniknąć wypadków, nie umieszczaj urządzenia na krawędzi blatu lub stołu. Upewnij się, czy powierzchnia na której ma być ustawione urządzenie utrzyma je również po jego napętnieniu.
- Nie napętniaj urządzenia ponad oznaczony poziom MAKSYMALNY. Przepętnienie urządzenia może prowadzić do rozbryzgów i oparzeń. Regularnie sprawdzaj poziom wody w urządzeniu, aby uniknąć podgrzewania pustego zbiornika. Nigdy nie uruchamiaj urządzenia bez wody w zbiorniku.



- Nie używaj urządzenia w pobliżu materiałów wybuchowych lub łatwopalnych, kart płatniczych, dysków magnetycznych lub radioodbiorników.
- Urządzenie nie jest przystosowane do obsługi za pomocą zewnętrznego minutnika lub oddzielnego systemu zdalnego sterowania.
- **OSTRZEŻENIE:** Nigdy nie podejmuj ani nie otwieraj pokrywy urządzenia w czasie pracy. Z otwartego urządzenia może wydobywać się para prowadząca do powstania oparzeń.
- Zapewnij co najmniej 20-centymetrową przestrzeń wokół urządzenia, aby umożliwić właściwą wentylację podczas pracy.
- Nie czyść urządzenia strumieniem wody pod ciśnieniem ani przy pomocy myjki parowej, nie sputkuj urządzenia wodą, ponieważ doprowadzi to do zawilgocenia lub zamoczenia części wewnątrz urządzenia, co może skutkować porażeniem prądem.
- **Uwaga!** Odpowiednio poprowadź i zabezpiecz przewód zasilający, aby zapobiec przypadkowemu pociągnięciu lub kontaktowi z nagrzaną powierzchnią.
- Nie przenoś urządzenia, gdy jest wypełnione wodą (gorącą lub zimną), ze względu na jego ciężar.
- Nie czyść ani nie umieszczaj urządzenia w miejscu przechowywania, zanim całkowicie nie ostygnie.

Montaż uziemienia

Warnik jest urządzeniem I klasy ochronności i wymaga uziemienia. Uziemienie zmniejsza ryzyko porażenia prądem, dzięki zastosowaniu przewodu odprowadzającego prąd elektryczny. Urządzenie

wyposażone jest w przewód z uziemieniem z wtykiem uziemiającym. Wtyczka musi zostać podłączona do gniazdka sieciowego, które zostało odpowiednio zamontowane i uziemione.

Główne części urządzenia



- Lampka sygnalizująca RESET (czerwona)
- Lampka sygnalizująca tryb podgrzewania (pomarańczowa)
- Dozownik
- Dźwignia dozownika
- Wskaźnik poziomu wody
- Uchwyty do podnoszenia (po dwóch stronach)
- Zaciski blokujące na uchwytych (po obu stronach)
- Wylot pary (po obu stronach)
- Uchwyt pokrywy
- Pokrywa
- Zbiornik
- Przetącznik ON/OFF (zielony)
- Tacka ociekowa (wyłącznie w modelach 211342, 211359, 211366)
- Pokrywa koszyka (wyłącznie w modelach 211342, 211359, 211366)
- Koszyk z filtrem
- Rurka zaparzacza

Uwaga: Treść niniejszej instrukcji odnosi się do wszystkich wymienionych modeli, o ile nie zostało określone inaczej. Wygląd urządzenia może różnić się od przedstawionego na rysunkach.

Przed pierwszym użyciem

- Zdejmij i wyrzuć opakowanie oraz zabezpieczenia.
- Sprawdź, czy urządzenie nie jest uszkodzone. W przypadku niepełnej dostawy lub uszkodzeń, NIE korzystaj z urządzenia. Skontaktuj się z dostawcą (Patrz ==> Gwarancja).
- Wyczyść urządzenie przed użyciem (patrz ==> Czyszczenie i konserwacja).
- Sprawdź, czy urządzenie jest całkowicie suche.
- Umieść urządzenie na poziomej stabilnej powierzchni, odpornej na działanie wysokich temperatur i rozbryzgi płynów.


- Zapewnij odpowiednią wentylację. Zapewnij co najmniej 20-centymetrowy odstęp wokół urządzenia.

Uwaga: Ze względu na pozostałości z procesu produkcyjnego, podczas kilku pierwszych uruchomień z urządzenia może wydobywać się słaby, specyficzny zapach i dym. Jest to zjawisko normalne i nie świadczy o uszkodzeniu urządzenia ani zagrożeniu dla użytkownika. Wylej wodę z pierwszych kilku cykli gotowania, aby usunąć wszelkie pozostałości z procesu produkcyjnego.

PL

Obsługa

Funkcje głównych części urządzenia

Część	Funkcja
	Przetącznik ON/OFF - Uruchamia lub wyłącza urządzenie. - Jeśli urządzenie jest uruchomione, przetącznik świeci na zielono. Uwaga: Przetącznik nie pali się na zielono, jeśli uruchomiono się zabezpieczenie przed podgrzewaniem pustego zbiornika.
Lampka sygnalizująca (2)	Lampka sygnalizująca - Zapala się na pomarańczowo, jeśli uruchomiony został proces podgrzewania.
Lampka sygnalizująca RESET (1)	Lampka sygnalizująca RESET - Zapala się na czerwono, jeśli uruchomione zostało zabezpieczenie przed podgrzewaniem pustego zbiornika.



Zaparzanie kawy

- Upewnij się, czy dozownik jest zamknięty.
- Napełnij zbiornik zimną wodą. Możesz sprawdzić poziom wody dzięki wskaźnikowi. Nie wlewaj do zbiornika ciepłej lub gorącej wody.
- Umieść w zbiorniku złożone części koszyka z filtrem i rurką zaparzacza. Powinny one znaleźć się pośrodku dna zbiornika.
- Wsyp do koszyka filtra grubo lub średnio zmieloną kawę i rozprowadź równomiernie. Zaleca się wysypanie 40 g zmielonej kawy na 1 litr wody w zbiorniku.
- Umieść na koszyku filtra pokrywę (wyłącznie w modelach 211342, 211359 i 211366) i zamknij pokrywę zaparzacza.
- Włącz urządzenie poprzez wciśnięcie przetącznika ON/OFF - ustawienie w pozycji „I”. Zapali się zielona lampka.
- Rozpocznie się proces zaparzania - woda podgrzewa się i podnosi poprzez rurkę zaparzacza.
- Następnie przepływa na dno poprzez koszyk z filtrem i kawą.
- Cykl powtórzony zostanie kilkakrotnie, aż cała kawa zaparzy się.

PL

Włączenie / wyłączenie urządzenia

- Podłącz urządzenie do odpowiedniego gniazdka elektrycznego.
- Włącz urządzenie poprzez wciśnięcie przetącznika ON/OFF - ustawienie w pozycji „I”. Przetącznik ON/OFF zapali się na zielono.

Po użyciu

- Wyłącz urządzenie poprzez ustawienie włącznika w pozycji „0” i odłącz urządzenie od źródła zasilania.

Nalewanie napoju

- Ustaw pod dozownikiem odpowiedni kubek lub filiżankę, jak najbliżej urządzenia.
- Naciśnij dźwignię dozownika, by nalać odpowiednią ilość kawy.

Uwaga:

- Nie wypełniaj urządzenia ponad poziom MAKSYMALNY oznaczony na wewnętrznej ścianie zbiornika.
- Zaleca się, by nie korzystać z urządzenia jeśli poziom płynu w urządzeniu przedstawiony na wskaźniku jest zbyt niski.
- Nie zostawiaj płynu w zbiorniku na dłuższy czas.
- Zawsze zamknij pokrywę po wypełnieniu zbiornika, włożeniu lub wyjęciu koszyka filtra i rurki zaparzacza.
- Zablokuj, przekręcając ją zgodnie z ruchem wskazówek zegara.
- Zaczekaj, aż urządzenie całkowicie wystygnie i dokładnie umyj przed kolejnym użyciem



- Zapali się lampka sygnalizująca tryb PODGRZEWANIA

Uwaga: Lampka sygnalizująca tryb podgrzewania będzie automatycznie migać, co oznacza, że uruchomiony został tryb podgrzewania.

- Po zakończeniu nalewania odsuń dźwignię do tyłu.

Uwaga: Zapętniony kubek/filiżanka może się mocno nagrzewać. Zachowaj ostrożność.



Czyszczenie i konserwacja

Uwaga: Przed rozpoczęciem czyszczenia i umieszczeniem urządzenia w miejscu przechowywania, zawsze odłącz je od źródła zasilania i odczekaj, aż ostygnie.

Czyszczenie

- Dokładnie umyj urządzenie przed i po każdym użyciu.
- Nigdy nie zanurzaj urządzenia w wodzie ani innych płynach.
- Nie czyść urządzenia przy pomocy strumienia wody.
- Dokładnie przemyj dozownik oraz wskaźnik poziomu płynu.
- Wyczyść koszyk filtra, rurkę zaparzacza, pokrywę zaparzacza, pokrywę koszyka gorącą wodą i łagodnym, ogólnodostępnym środkiem czyszczącym przeznaczonym do mycia profesjonalnych ekspresów do kawy. Postępuj zgodnie z wytycznymi producenta.
- Wszystkie części urządzenia należy przemyć wodą, by usunąć pozostałości środka czyszczącego.
- W zbiorniku nie powinny pozostać żaden osad ani pozostałości po kawie. Wnętrze zbiornika można łatwo wyczyścić za pomocą łagodnego środka czyszczącego i wilgotnej ściereczki.
- Do czyszczenia wnętrza i zewnętrznych części urządzenia nigdy nie używaj szorstkich gąbek ani zrączych detergentów, jak również gąbek z wetny stalowej ani metalowych akcesoriów.
- Przetrzyj zewnętrzne powierzchnie urządzenia za pomocą miękkiej, wilgotnej ściereczki.
- Na koniec osusz wszystkie czyszczone części i powierzchnie urządzenia za pomocą miękkiej ściereczki.

Odkamienianie

- Urządzenie należy regularnie odkamieniać. Częstotliwość odkamieniania zależy od twardości wody i częstotliwości eksploatacji urządzenia. Korzystaj wyłącznie z ogólnie dostępnych odkamieniaczy i postępuj zgodnie z instrukcją producenta.
 - Uzpełnij zbiornik wodą i odpowiednią ilością odkamieniacza do określonego poziomu MAK-SYMALNEGO.

Przechowywanie

- Przed umieszczeniem w miejscu przechowywania, zawsze upewnij się, czy urządzenie zostało odłączone od gniazdka sieciowego i całkowicie ostygło.
- Przechowuj urządzenie w chłodnym, czystym i suchym miejscu.



Wyszukiwanie i usuwanie usterek

Jeśli urządzenie nie działa prawidłowo, zapoznaj się z poniższą tabelą w celu znalezienia prawidłowego rozwiązania. Jeśli nie możesz rozwiązać problemu, skontaktuj się z dostawcą.

Problem	Możliwe przyczyny	Proponowane rozwiązanie
Urządzenie podłączone jest do źródła zasilania, ale lampka sygnalizacyjna nie zapala się.	Wtyczka nie jest prawidłowo podłączona do źródła zasilania.	Sprawdź, czy urządzenie jest podłączone prawidłowo.
	Uszkodzona lampka sygnalizująca proces podgrzewania.	Skontaktuj się z dostawcą.
	Zadziałał bezpiecznik termiczny (zabezpieczenie przed przegrzaniem).	Odtłącz wtyczkę z gniazdka i odczekaj, aż urządzenie ostygnie. Uruchom ponownie.
Urządzenie nie nagrzewa się, a lampka sygnalizująca podgrzewanie pali się.	Uszkodzony element grzewczy.	Skontaktuj się z dostawcą.

Specyfikacja techniczna

Warnik do napojów o pojedynczych ściankach (bez tacki ociekowej i pokrywy koszyka)

Nr produktu	211311	211328	211335
Napięcie robocze i częstotliwość	220-240V~ 50 / 60 Hz		
Znamionowy pobór mocy	950W	1,650W	1,650W
Przybliżona pojemność	8L ± 0.5L	12L ± 1L	16L ± 1L
Klasa ochronności	Klasa I		
Szacowany czas parzenia kawy	32 ± 5 min	35 ± 5 min	40 ± 5 min

Warnik do napojów o podwójnych ściankach (wraz z tacką ociekową i pokrywą koszyka)

Nr produktu	211342	211359	211366
Napięcie robocze i częstotliwość	220-240V~ 50 / 60 Hz		
Znamionowy pobór mocy	950W	950W	1,650W
Przybliżona pojemność	6L ± 1.5L	12L ± 2L	16L ± 2L
Klasa ochronności	Klasa I		
Szacowany czas parzenia kawy	26 ± 5 min	32 ± 5 min	37 ± 5 min

Uwaga: Specyfikacja techniczna może ulec zmianie bez uprzedzenia.

Gwarancja

Każda wada bądź usterka powodująca niewłaściwe funkcjonowanie urządzenia, która ujawni się w ciągu jednego roku od daty zakupu, zostanie bezpłatnie usunięta lub urządzenie zostanie wymienione na nowe, o ile było użytkowane i konserwowane zgodnie z instrukcją obsługi i nie było wykorzystywane w niewłaściwy sposób lub niezgodnie z przeznaczeniem. Postanowienie to w żadnej mierze nie narusza innych praw użytkownika wynikających z przepisów prawa. W przypadku zgłoszenia urzą-

dzenia do naprawy lub wymiany w ramach gwarancji należy podać miejsce i datę zakupu urządzenia i dołączyć dowód zakupu (np. paragon).

Zgodnie z naszą polityką ciągłego doskonalenia wyrobów zastrzegamy sobie prawo do wprowadzania bez uprzedzenia zmian w wyrobie, opakowaniu oraz danych technicznych podawanych w dokumentacji.

Wycofanie z użytkowania i ochrona środowiska

Urządzenie zużyte i wycofane z użytkowania należy zutylizować zgodnie z przepisami i wytycznymi obowiązującymi w momencie wycofania urządzenia.

Materiały opakowaniowe, jak tworzywa sztuczne i pudła, należy umieszczać w pojemnikach na odpady właściwych dla rodzaju materiału.



Cher client,

Merci d'avoir acheté cet appareil de HENDI. Veuillez lire attentivement ce mode d'emploi avant de brancher l'appareil afin d'éviter tout endommagement pour cause d'usage abusif. Veuillez notamment lire les consignes de sécurité avec la plus grande attention.

Règles de sécurité


- L'utilisation abusive et le maniement incorrect de l'appareil peuvent entraîner une grave détérioration de l'appareil ou provoquer des blessures.
- Cet appareil est conçu exclusivement à des fins commerciales et non pour un usage domestique.
- L'appareil doit être utilisé uniquement pour le but il a été conçu. Le fabricant décline toute responsabilité en cas de dommage consécutif à un usage abusif ou un maniement incorrect.
- Veillez à tenir l'appareil et la prise électrique hors de portée de l'eau ou de tout autre liquide. Si malencontreusement l'appareil tombe dans l'eau, débranchez immédiatement la prise électrique et faites contrôler l'appareil par un réparateur agréé. La non-observation de cette consigne entraîne un risque d'accident mortel.
- Ne tentez jamais de démonter vous-même le bâti de l'appareil.
- N'enfoncez aucun objet dans la carcasse de l'appareil.
- Ne touchez pas la prise avec les mains mouillées ou humides.
- **Risque d'électrocution!** Ne tentez jamais de réparer l'appareil. Tous défauts et dysfonctionnement doivent être supprimés par le personnel qualifié.
- **N'utilisez jamais l'appareil endommagé!** Débranchez l'appareil endommagé de l'alimentation électrique et contactez votre revendeur.
- **Avertissement:** N'immergez pas les pièces électriques de l'appareil dans l'eau ou dans d'autres liquides. Ne mettez pas l'appareil sous l'eau courante.
- Vérifiez régulièrement la fiche et le câble d'alimentation pour les dommages. La fiche ou le câble d'alimentation endommagé(e) transmettent pour la réparation au service ou à une personne qualifiée, pour prévenir tous les menaces ou les blessures possibles.
- Assurez-vous que le câble d'alimentation n'est pas en contact avec les objets pointus ou chauds ; gardez le câble loin des flammes nues. Pour retirer la fiche de la prise murale, tirez toujours en tenant la fiche et non le câble d'alimentation.
- Protégez le câble d'alimentation (ou la rallonge) contre le débranchement accidentel de la prise murale. Le câble doit être posé de manière ne provoquant pas les chutes accidentelles.
- Surveillez en permanence l'appareil pendant l'utilisation.
- Avertissement ! Si la fiche est insérée dans la prise murale, l'appareil doit être considéré comme branché à l'alimentation.
- Avant de retirer la fiche de la prise, éteignez l'appareil !
- Ne transportez jamais l'appareil en tenant le câble.
- N'utilisez aucuns accessoires qui n'ont pas été fournis avec l'appareil.

FR



- L'appareil doit être branché à la prise murale avec une tension et la fréquence indiquées sur la plaque signalétique.
- Insérez la fiche à la prise murale située dans un endroit facilement accessible de sorte qu'en cas de panne l'appareil puisse être immédiatement déconnecté. Pour éteindre complètement l'appareil, débranchez-le de la source d'alimentation. Pour cela, retirez la fiche à l'extrémité du câble d'alimentation de la prise murale.
- Eteignez l'appareil avant de débrancher l'appareil de la prise!
- N'utilisez jamais les accessoires non recommandés par le fabricant. L'utilisation des accessoires non recommandés peut présenter des risques pour l'utilisateur et provoquer les dommages à l'appareil. Utilisez uniquement des pièces et accessoires originaux.
- Cet appareil n'est pas apte à être utilisé par des personnes (enfants compris) avec capacités physiques, sensorielles ou intellectuelles diminuées ou ne possédant pas l'expérience et les connaissances suffisantes.
- Ne laissez jamais les enfants utiliser l'appareil.
- L'appareil et le câble d'alimentation doivent être stockés hors de la portée des enfants.
- Ne permettez pas aux enfants d'utiliser l'appareil pour jouer
- Débranchez toujours l'appareil de l'alimentation s'il doit être laissé sans surveillance et également avant le montage, le démontage et le nettoyage.
- Ne laissez jamais l'appareil sans surveillance lorsqu'il est utilisé.

Consignes de sécurité spéciales

- L'appareil est destiné uniquement à préparer du café. L'appareil est destiné à un usage commercial et ne sert qu'à la préparation du café et à maintenir à une température adaptée à la consommation. L'appareil est adapté pour chauffer le lait, le chocolat à boire et autres boissons. L'utilisation de l'appareil à d'autres fins peut entraîner des dommages ou des blessures.
- N'utilisez pas l'appareil pour préparer des produits alimentaires, pour conserver et chauffer des liquides inflammables, dangereux ou des substances dangereuses ou inflammables etc.
- Utilisez l'appareil uniquement conformément aux instructions.
- L'appareil ne doit être utilisé et entretenu que par du personnel de cuisine qualifié, des cantines ou un service de bar, etc. L'appareil peut être utilisé par d'autres personnes à un endroit où il est possible de surveiller son utilisation, par exemple dans des restaurants ou des hôtels.
- La température ambiante à l'endroit où le dispositif est utilisé doit être comprise entre 15°C à 30 °C.
-  **Attention! Surface chaude!** La température des surfaces disponibles de l'appareil pendant l'utilisation est très élevée. Ne touchez que les poignées, l'interrupteur et le bouton de température.
- Ne placez pas l'appareil sur un dispositif émettant de la chaleur (cuisinières à gaz, électriques, barbecues etc.). Gardez l'appareil éloigné des surfaces chaudes ou des flammes nues. Placez l'appareil sur une surface plate, stable, propre et sèche et résistante aux températures élevées.



- Pour éviter les accidents, ne placez pas l'appareil sur le bord d'un plan de travail ou d'une table. Assurez-vous que la surface sur laquelle l'appareil doit être placé est en mesure de le maintenir après l'avoir rempli.
- Ne remplissez pas l'appareil au-dessus du niveau MAXIMUM marqué. En remplissant trop l'appareil vous pouvez provoquer des éclaboussures et des brûlures. Vérifiez régulièrement le niveau d'eau dans l'appareil pour éviter de chauffer le réservoir vide. Ne démarrez jamais l'appareil sans eau dans le réservoir.
- N'utilisez pas l'appareil à proximité de matériaux explosifs ou inflammables, de cartes de paiement, de disques magnétiques ou de radios.
- L'appareil n'est pas conçu pour fonctionner avec une minuterie externe ou un système de télécommande séparé.
- **AVERTISSEMENT:** ne retirez jamais ou n'ouvrez pas le couvercle de l'appareil pendant le fonctionnement. La vapeur provoquant les brûlures peut fuir de l'appareil.
- Garantisiez un espace d'au moins 20 cm autour de l'appareil pour permettre une ventilation adéquate pendant le fonctionnement.
- Ne nettoyez pas l'appareil avec un jet d'eau sous pression ou avec un nettoyeur à vapeur, ne rincez pas l'appareil avec de l'eau pour éviter l'humidité ou la pénétration de l'eau dans l'appareil ce qui pourrait entraîner un choc électrique.
- **Attention!** Faites passer et protégez correctement le cordon d'alimentation pour éviter toute traction accidentelle et tout contact avec la surface chauffée.
- Ne transportez pas l'appareil lorsqu'il est rempli d'eau (chaude ou froide) à cause de son poids.
- Ne nettoyez pas et ne placez pas l'appareil dans un endroit de stockage avant qu'il ne soit complètement refroidi.

FR

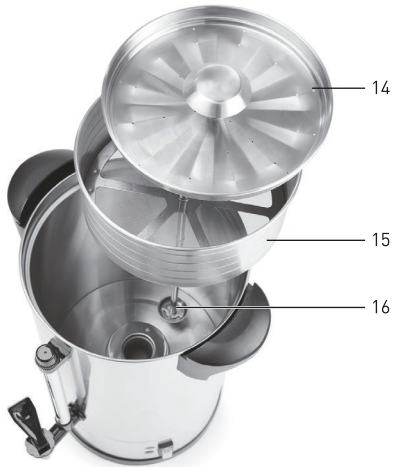
Mise à la terre

Le distributeur de boissons chaudes est un appareil de la 1ère classe de protection et doit être obligatoirement mis à la terre. La mise à la terre réduit le risque de choc électrique grâce à un conduit évacuant le courant électrique. L'appareil est équipé

d'un conduit avec la mise à la terre et la prise de terre. N'insérez pas la fiche à la prise murale lorsqu'elle n'a pas été correctement installée et mise à la terre.



Parties principales de l'appareil



1. Voyant RESET (rouge)
2. Voyant de mode de chauffage (orange)
3. Distributeur
4. Levier du distributeur
5. Indicateur du niveau d'eau
6. Poignées de transport (des deux côtés)
7. Pincettes de verrouillage sur les poignées (des deux côtés)
8. Sortie de vapeur (des deux côtés)
9. Poignée du couvercle

10. Couvercle
11. Réservoir
12. Interrupteur ON/OFF (vert)
13. Egouttoir (uniquement dans les modèles 211342, 211359, 211366)
14. Couvercle du panier (uniquement dans les modèles 211342, 211359, 211366)
15. Panier avec le filtre
16. Tube du percolateur

Remarque: Le contenu du présent mode d'emploi s'applique à tous les modèles mentionnés, sauf indication contraire. L'apparence de l'appareil peut différer de celle représentée sur les dessins.

Avant la première utilisation

- Retirez et éliminez l'emballage et toutes les protections.
- Assurez-vous que l'appareil n'est pas endommagé. En cas de livraison incomplète ou de dommages N'UTILISEZ PAS l'appareil et contactez votre fournisseur (Voir == > Garantie).
- Nettoyez l'appareil (voir == > Nettoyage et entretien).
- Vérifiez si l'appareil est complètement sec.
- Placez l'appareil sur une surface plane, stable et résistant à des températures élevées et des éclaboussures.


- Assurez une ventilation adéquate. Garantissez au moins 20 cm d'espace autour de l'appareil.

Remarque: En raison des résidus de production, l'appareil peut émettre une faible odeur caractéristique au début du fonctionnement. Ce phénomène est tout à fait normal et ne signifie pas un mauvais fonctionnement ou le fonctionnement dangereux pour l'utilisateur. Versez de l'eau après quelques premiers cycles de cuisson pour éliminer tout résidu du processus de production.



Fonctionnement

Fonctions des principales parties de l'appareil

Partie	Fonction
	Interrupteur ON/OFF - Démarre ou arrête l'appareil. - Si l'appareil est en cours de fonctionnement, l'interrupteur est allumé en vert. Remarque : L'interrupteur ne s'allume pas en vert si la protection contre le chauffage du réservoir vide a été activée.
Voyant (2)	Voyant - Il s'allume en orange si le processus de chauffage a démarré.
Voyant RESET (1)	Voyant RESET - Il s'allume en rouge si la protection contre le chauffage du réservoir vide a été activée.

Préparation du café

- Assurez-vous que le distributeur est fermé.
- Remplissez le réservoir avec de l'eau froide. Vous pouvez contrôler le niveau d'eau grâce à l'indicateur. Ne versez pas d'eau tiède ou d'eau chaude dans le réservoir.
- Placez dans le réservoir des parties du panier assemblées avec le filtre et le tube du percolateur. Ces éléments doivent se trouver au milieu du fond du réservoir.
- Versez dans le panier le café grossièrement ou moyennement moulu et répartissez-le uniformément. Il est recommandé de verser 40 g de café moulu par 1 litre d'eau dans le réservoir.
- Placez le couvercle sur le panier (uniquement dans les modèles 211342, 211359 et 211366) et fermez le couvercle du percolateur.
- Allumez l'appareil en appuyant sur l'interrupteur ON/OFF - position „I”. Le voyant vert s'allume.
- Le processus de préparation du café commence – l'eau chauffe et monte dans le tube du percolateur.
- Puis il coule au fond à travers le panier avec le filtre et le café.
- Le cycle sera répété plusieurs fois jusqu'à ce que tout le café soit préparé.

Démarrage / arrêt de l'appareil

- Connectez l'appareil à une prise électrique appropriée.
- Allumez l'appareil en appuyant sur l'interrupteur ON/OFF – la position „I”. L'interrupteur ON/OFF s'allume en vert.

Après utilisation

- Éteignez l'appareil en mettant l'interrupteur sur la position «0» et débranchez l'appareil de la source d'alimentation.

Attention:

- Ne remplissez pas l'appareil au-dessus du niveau MAXIMUM marqué sur la paroi intérieure du réservoir.
- Il est recommandé de ne pas utiliser l'appareil si le niveau de liquide dans l'appareil est trop bas.
- Ne laissez pas le liquide dans le réservoir pendant une longue période.
- Fermez toujours le couvercle après avoir rempli le réservoir, après avoir mis ou retiré le panier du filtre et le tube du percolateur.
- Verrouillez-le en le tournant dans le sens horaire.
- Attendez jusqu'à ce que l'appareil soit complètement refroidi et lavez-le bien une nouvelle utilisation.



- La lampe du mode de CHAUFFAGE s'allume.

Attention: Le voyant du mode de chauffage commence à clignoter automatiquement, ce qui signifie que le mode de chauffage a été activé.



Distribution d'une boisson

- Placez une tasse appropriée sous le distributeur aussi près que possible.
- Appuyez sur le levier du distributeur pour verser la quantité correcte de café.

- Après avoir fini, déplacez le levier vers l'arrière.

Attention: La tasse remplie peut chauffer fortement. Soyez prudent.

Nettoyage et entretien

Attention: Avant le nettoyage et l'entretien de l'appareil, débranchez l'appareil de la source d'alimentation en retirant la fiche de la prise électrique et attendez jusqu'à ce que l'appareil refroidisse.

Nettoyage

- Lavez l'appareil après chaque utilisation.
- N'immergez jamais l'appareil dans l'eau ou d'autres liquides.
- Ne nettoyez pas l'appareil avec un jet d'eau.
- Rincez soigneusement le distributeur et l'indicateur de niveau de liquide.
- Nettoyez le panier du filtre, le tube du percolateur, le couvercle du percolateur et le couvercle du panier avec de l'eau chaude et un détergent doux généralement disponible et destiné pour laver les machines à café professionnelles. Suivez les instructions du fabricant.
- Toutes les parties de l'appareil doivent être rincées à l'eau pour éliminer tout résidu d'agent de nettoyage.

- Aucun dépôt ou résidu de café ne doit rester dans le réservoir. L'intérieur du réservoir peut facilement être nettoyé avec un produit de nettoyage doux et un chiffon humide.
- N'utilisez jamais d'éponges abrasives ou de détergents abrasifs, ni d'éponges en laine d'acier ou d'accessoires en métal pour nettoyer l'intérieur et l'extérieur de l'appareil.
- Essuyez l'extérieur de l'appareil avec un chiffon doux et humide.
- Enfin, séchez toutes les pièces et surfaces nettoyées avec un chiffon doux.

Détartrage

- L'appareil doit être régulièrement détartré. La fréquence du détartrage dépend de la dureté de l'eau et de la fréquence d'utilisation de l'appareil. Utilisez uniquement des détartrants disponibles sur le marché et suivez les instructions du fabricant.
 - Remplissez le réservoir avec de l'eau et une quantité appropriée de détartrant jusqu'au niveau MAXIMUM.

- Faites bouillir la solution dans le réservoir.
- Après l'ébullition, versez l'eau et la solution de détartrage selon les instructions du fabricant.
- Rincez le réservoir et faites bouillir de l'eau deux fois pour éliminer les restes du détartrant.
- Enfin, essuyez toutes les pièces et surfaces nettoyées avec un chiffon doux.

Stockage

- Avant de placer l'appareil dans un endroit de stockage, assurez-vous toujours que l'appareil a été déconnecté de la prise de courant et qu'il a complètement refroidi.

- Rangez l'appareil dans un endroit frais, propre et sec.



Dépannage

Si l'appareil ne fonctionne pas correctement, lisez les instructions dans le tableau ci-dessous pour trouver une bonne solution. Si vous ne pouvez pas résoudre le problème, contactez votre revendeur.

Problème	Cause possible	Solution possible
L'appareil est connecté à une source d'alimentation et le voyant ne s'allume pas.	La fiche n'est pas correctement branchée à la prise électrique.	Vérifiez si l'appareil est correctement branché à la source d'alimentation.
	Le voyant indiquant le processus de chauffage est endommagé.	Contactez votre fournisseur.
	Le fusible thermique est activé (protection contre la surchauffe).	Débranchez la prise d'alimentation et attendez que l'appareil refroidisse. Puis, répétez l'opération.
L'appareil ne chauffe pas et le voyant de chauffage est allumé.	L'élément de chauffage est endommagé	Contactez votre fournisseur.

Caractéristiques techniques

Distributeur de boissons chaudes à simple paroi (sans l'égouttoir et le couvercle du panier)

Produit numéro	211311	211328	211335
Tension de fonctionnement et fréquence	220-240V~ 50 / 60 Hz		
Consommation d'énergie	950W	1,650W	1,650W
Capacité approximative	8L ± 0.5L	12L ± 1L	16L ± 1L
Niveau de protection	Classe I		
Temps de préparation de café estimé	32 ± 5 min	35 ± 5 min	40 ± 5 min

Distributeur de boissons chaudes à double paroi (avec l'égouttoir et le couvercle du panier)

Produit numéro	211342	211359	211366
Tension de fonctionnement et fréquence	220-240V~ 50 / 60 Hz		
Consommation d'énergie	950W	950W	1,650W
Capacité approximative	6L ± 1.5L	12L ± 2L	16L ± 2L
Niveau de protection	Classe I		
Temps de préparation de café estimé	26 ± 5 min	32 ± 5 min	37 ± 5 min

Remarque : Les caractéristiques techniques peuvent être modifiées sans préavis.

Garantie

Tout vice ou toute défaillance entraînant un dysfonctionnement de l'appareil qui se déclare dans les 12 mois suivant la date de l'achat sera éliminé à titre gratuit ou l'appareil sera remplacé par un appareil nouveau si le premier a été dûment exploité et entretenu conformément aux termes de la notice d'exploitation et s'il n'a pas été indûment exploité ou de manière non conforme à sa destination. La présente stipulation ne porte pas de préjudice aux autres droits de l'utilisateur prévus par les dispositions légales. Dans le cas où l'appareil est donné à la réparation ou doit être remplacé

dans le cadre de la garantie, il y a lieu de spécifier le lieu et la date de l'achat de l'appareil et produire un justificatif nécessaire (par ex. facture ou ticket de caisse).

Conformément à notre politique d'amélioration permanente de nos produits, nous nous réservons le droit d'introduire sans avertissement préalable des modifications à l'appareil, à l'emballage et aux caractéristiques techniques précisées dans la documentation.

Retrait de l'exploitation et protection de l'environnement

L'équipement usé et retiré de l'exploitation doit être valorisé conformément aux dispositions légales et aux recommandations en vigueur à la date de son retrait.

Les matériaux d'emballage tels que matières plastiques et cartons doivent être déposés dans les bennes prévues pour le type du matériau considéré.



Gentile cliente,

grazie per aver acquistato questo apparecchio Hendi. Ti invitiamo a leggere queste istruzioni per l'uso con attenzione prima di collegare l'apparecchio al fine di evitare danni dovuti a uso improprio. Ti invitiamo inoltre a prestare particolare attenzione alle precauzioni di sicurezza.

Precauzioni di sicurezza


- L'uso scorretto e improprio dell'apparecchio possono danneggiare seriamente l'apparecchio e ferire gli utenti.
- Questo dispositivo è destinato esclusivamente per uso commerciale e non può essere utilizzato per uso domestico.
- L'apparecchio può essere utilizzato solo per lo scopo per cui è stato concepito e progettato. Il produttore non è responsabile di eventuali danni provocati da uso scorretto ed improprio.
- Tenere l'apparecchio e la spina elettrica lontani da acqua ed altri liquidi. Nel caso improbabile che l'apparecchio cada in acqua, staccare immediatamente la spina dalla presa e fare ispezionare l'apparecchio da un tecnico certificato. L'inosservanza delle presenti istruzioni può dare luogo a situazioni pericolose
- Non provare mai ad aprire l'involucro dell'apparecchio da soli.
- Non inserire oggetti nell'involucro dell'apparecchio.
- Non toccare la presa con le mani bagnate o umide.
- **Pericoli di scosse elettriche!** Non tentare di riparare l'apparecchio da solo. Eventuali difetti e malfunzionamenti devono essere rimossi soli da personale qualificato.
- **Non usare l'apparecchio danneggiato!** L'apparecchio difettoso deve essere immediatamente scollegato dalla rete e contattare il rivenditore.
- **Attenzione:** Non immergere parti elettriche in acqua o altri liquidi. Non mettere l'apparecchio sotto l'acqua corrente.
- Controllare regolarmente se la spina e il cavo di alimentazione non sono danneggiati. La spina o il cavo danneggiati trasmettere al servizio o alla persona qualificare per riparare, per evitare eventuali pericoli e lesioni.
- Assicurarsi che il cavo di alimentazione non è in contatto con oggetti appuntiti o caldi. Tenere il cavo lontano da fiamme libere. Per scollegare la spina dalla presa, tirare sempre la spina, mai il cavo.
- Proteggere il cavo di alimentazione (o di estensione) per la sconnessione accidentale dalla presa. Disporre il cavo in modo per evitare lo slittamento accidentale.
- Sorvegliare l'apparecchio continuamente durante l'uso.
- **Attenzione!** Se la spina è inserita nella presa, l'apparecchio è considerato come collegato.
- Prima di rimuovere la spina dalla presa, spegnere l'apparecchio!
- Non trasportare l'apparecchio tenendo il cavo di alimentazione.
- Non utilizzare qualsiasi accessorio che non è stato fornito con l'apparecchio.
- L'apparecchio deve essere collegato ad una presa con tensione e frequenza indicate sulla targhetta.

IT



- Inserire la spina nella presa situata in un punto facilmente accessibile in modo che in caso di guasto sia possibile scollegare immediatamente l'apparecchio. Per spegnere completamente l'apparecchio, scollegarlo dalla presa di corrente. Per questo staccare la spina che si trova sull'estremità del cavo di alimentazione.
- Prima di scollegare la spina, ricordarsi sempre di spegnere l'apparecchio!
- Non usare gli accessori non raccomandati dal produttore. L'uso di accessori non raccomandati può creare i rischi per l'utente e provocare i danni all'apparecchio. Usare unicamente solo pezzi ed accessori originali.
- L'installazione elettrica deve soddisfare le normative nazionali e locali applicabili. Questo apparecchio non è destinato all'uso da parte di persone (inclusi i bambini) con capacità fisiche, sensoriali o mentali ridotte, o senza esperienza e conoscenza.
- Non permettere ai bambini di utilizzare l'apparecchio.
- Tenere l'apparecchio con il cavo fuori dalla portata dei bambini.
- Non permettere ai bambini di giocare con l'apparecchio.
- Scollegare l'apparecchio dalla rete se esso deve essere lasciato incustodito e prima del montaggio, dello smontaggio o della pulizia.
- Non lasciare l'apparecchio incustodito durante l'utilizzazione.

Regole di sicurezza speciali

- L'apparecchio è utilizzato per preparare il caffè. L'apparecchio è destinato all'uso commerciale ed è utilizzato solo per preparare il caffè e per tenerlo a una temperatura adatta al consumo. L'apparecchio è adatto per il riscaldamento del latte, cioccolata da bere e altre bevande. L'uso dell'apparecchio per qualsiasi altro scopo può causare danni o lesioni.
- Non utilizzare l'apparecchio per preparare prodotti alimentari, conservare e riscaldare liquidi infiammabili, pericolosi o, sostanze infiammabili o pericolose ecc.
- Utilizzare l'apparecchio solo in base alle presenti istruzioni.
- L'apparecchio deve essere utilizzato e mantenuto solo da personale qualificato di cucine di ristoranti, mense o servizio bar, ecc. L'apparecchio può essere utilizzato da altre persone in un luogo in cui è possibile controllarne l'uso, ad esempio in ristoranti o alberghi.
- La temperatura ambiente nel luogo in cui viene utilizzato l'apparecchio deve essere compresa tra C.15°C a 30 °C.
-  **Attenzione! Superficie calda!** La temperatura delle superfici disponibili dell'apparecchio durante l'uso è molto alta. Tocca solo le maniglie, l'interruttore e la manopola della temperatura.
- Non posizionare l'apparecchio sull'oggetto che emette calore (cucina a gas, elettrica, grill ecc.). Tenere l'apparecchio lontano da superfici calde o fiamme libere. Posizionare l'apparecchio su una superficie stabile, pulita e asciutta, resistente alle alte temperature.
- Per evitare incidenti, non posizionare l'apparecchio sul bordo di un piano o di un tavolo. Assicurarsi che la superficie su cui sarà posizionato l'apparecchio lo manterrà anche dopo averlo riempito.
- Non riempire l'apparecchio sopra il livello MASSIMO indicato. Un riempimento eccessivo dell'apparecchio può provocare spruzzi e ustioni. Controllare regolarmente il livello



dell'acqua nell'apparecchio per evitare di riscaldare il recipiente vuoto. Non avviare mai il apparecchio senza acqua nel recipiente.

- Non utilizzare l'apparecchio vicino a materiali esplosivi o infiammabili, carte di pagamento, dischi magnetici o radio.
- L'apparecchio non è progettato per essere utilizzato da un timer esterno o da un sistema di controllo a distanza.
- **AVVERTENZA:** non rimuovere o aprire mai il coperchio dell'apparecchio durante il funzionamento. Il vapore che potrebbe fuoriuscire dall'apparecchio e portare a scottature.
- Prevedere almeno uno spazio di 20 centimetri intorno all'apparecchio per consentire una corretta ventilazione durante il funzionamento.
- Non lavare l'apparecchio con acqua o un forte getto di acqua e non utilizzare un pulitore a vapore. La pulizia dell'apparecchio con l'acqua può causare la penetrazione dell'umidità nei componenti elettrici e causare una scossa elettrica.
- **Attenzione!** Far passare e proteggere il cavo di alimentazione per evitare di strappare o toccare accidentalmente la superficie riscaldata.
- Non trasportare l'apparecchio quando è riempito con acqua (calda o fredda) a causa del suo peso.
- Non pulire o posizionare l'apparecchio in un luogo di conservazione se non è completamente raffreddato.

Messa a terra

Il bollitore elettrico è l'apparecchio della I classe di protezione e deve essere messo a terra. La messa a terra riduce il rischio di scosse elettriche grazie al cavo evacuante il corrente elettrico. L'apparecchio

è dotato di un cavo con una messa a terra. La spina deve essere inserita in una presa di corrente correttamente installata e messa a terra.

Parti principali dell'apparecchio



1. Spia luminosa RESET (rossa)
2. Spia luminosa della modalità di riscaldamento (arancione)
3. Distributore
4. Leva del distributore
5. Indicatore del livello dell'acqua
6. Maniglie di sollevamento (da due lati)
7. Morsetti di bloccaggio sulle maniglie (da due lati)
8. Uscita del vapore (da due lati)
9. Maniglia del coperchio
10. Coperchio
11. Recipiente
12. Interruttore ON/OFF (verde)
13. Vaschetta raccogliocce (solo nei modelli 211342, 211359, 211366)
14. Coperchio del cesto (solo nei modelli 211342, 211359, 211366)
15. Cesto con il filtro
16. Tubo della caffettiera

Nota: il contenuto di questo manuale è applicabile a tutti i modelli menzionati, se non diversamente specificato. L'aspetto dell'apparecchio può differire da quello mostrato nei disegni.

Prima del primo uso


- Rimuovere e gettare l'imballaggio e le protezioni.
- Controllare che il prodotto non sia danneggiato. In caso di consegna incompleta o danni, NON UTILIZZARE l'apparecchio e contattare il fornitore (Vedere ==> Garanzia).
- Pulire l'apparecchio prima di utilizzare (Vedere ==> Pulizia e manutenzione).
- Controllare se l'apparecchio è completamente asciutto.
- Posizionare l'apparecchio su una superficie stabile, resistente alle alte temperature e agli schizzi di liquidi.
- Fornire almeno 20 cm di distanza attorno all'apparecchio per assicurare un'adeguata ventilazione.

Attenzione: A causa di residui di produzione, l'apparecchio può emettere un odore debole e caratteristico all'inizio del funzionamento dell'apparecchio. Questo è normale e non significa che il funzionamento non corretto o pericolo per gli utenti. Versare l'acqua dai primi cicli di cottura per rimuovere eventuali residui dal processo di produzione.

IT

Funzionamento

Funzioni delle parti principali dell'apparecchio

Parte	Funzione
	Interruttore ON/OFF - Avvia o arresta l'apparecchio. - Se l'apparecchio è avviato, l'interruttore si illumina in verde. Nota: l'interruttore non si illumina in verde se è stata attivata la protezione contro il riscaldamento del recipiente vuoto.
Spia luminosa (2)	Spia luminosa - Si illumina in arancione se il processo di riscaldamento è stato avviato.
Spia luminosa RESET (1)	Spia luminosa RESET - Si illumina in rosso se è stata attivata la protezione contro il riscaldamento del recipiente vuoto.



Preparazione del caffè

- Assicurarsi che il distributore è chiuso.
- Riempire il recipiente con acqua fredda. È possibile controllare il livello dell'acqua grazie all'indicatore. Non versare acqua tiepida o calda nel recipiente.
- Mettere le parti complesse del cesto il filtro e il tubo di caffettiera. Essi dovrebbero essere nel mezzo del fondo del cesto.
- Versare un caffè grosso macinato o medio macinato nel cestello del filtro e distribuirlo uniformemente. Si consiglia di versare 40 g di caffè macinato in 1 litro d'acqua nel recipiente.
- Posizionare un coperchio sul cestello del filtro (solo sui modelli 211342, 211359 e 211366) e chiudere il coperchio di caffettiera.
- Accendere l'apparecchio premendo l'interruttore ON / OFF - impostare sulla posizione "I". La luce verde si accenderà.
- Inizia il processo di erogazione - l'acqua si riscalda e sale attraverso il tubo di caffettiera.
- Poi scorre sul fondo attraverso un cesto con il filtro e il caffè.
- Il ciclo verrà ripetuto più volte fino a quando tutto il caffè è stato preparato.

Accensione / spegnimento dell'apparecchio

- Collegare l'apparecchio a una presa elettrica appropriata.
- Accendere l'apparecchio premendo l'interruttore ON/OFF - posizione „I”. L'interruttore ON/OFF si illumina in verde.
- La spia della modalità RISCALDAMENTO si accende.

Dopo l'uso

- Spegnere l'apparecchio impostando l'interruttore sulla posizione "0" e scollegare l'apparecchio dalla fonte di alimentazione.

Distribuzione di una bevanda

- Collocare una tazza adeguata sotto il distributore il più vicino possibile all'apparecchio.
- Premere la leva del distributore per versare una giusta quantità di caffè.

Nota:

- Non riempire l'apparecchio oltre il livello MASSIMO indicato sulla parete interna del recipiente.
- Si consiglia di non utilizzare l'apparecchio se il livello del liquido nell'apparecchio visualizzato sull'indicatore è troppo basso.
- Non lasciare il liquido nel recipiente per lungo tempo.
- Chiudere sempre il coperchio dopo aver riempito il recipiente, dopo aver inserito o rimosso il cesto del filtro e del tubo di caffettiera.
- Bloccare girandolo in senso orario.
- Attendere fino a quando l'apparecchio si è completamente raffreddato e lavare a fondo prima di riutilizzarlo.



- **Nota:** La spia luminosa per la modalità di riscaldamento lampeggia automaticamente che significa che è stata attivata la modalità di riscaldamento.

- Dopo aver finito di versare, spostare la leva all'indietro.

- **Nota:** La tazza riempita può diventare molto calda. Stare attenti.

Pulizia e manutenzione

Nota: Prima di pulire e posizionare l'apparecchio nel luogo di stoccaggio, scollegarlo sempre dalla fonte di alimentazione e lasciarlo raffreddare.

Pulizia

- Lavare l'apparecchio prima e dopo ogni utilizzo.
- Non immergere mai l'apparecchio in acqua o altri liquidi.
- Non pulire l'apparecchio con un getto d'acqua.
- Sciacquare precisamente il distributore e l'indicatore del livello del liquido.
- Pulire il cesto del filtro, il tubo di caffettiera, il coperchio di caffettiera, il coperchio del cesto con acqua calda e un detergente delicato e generalmente disponibile per macchine da caffè professionali. Seguire le istruzioni del produttore.
- Tutte le parti dell'apparecchio devono essere risciacquate con acqua per rimuovere il detergente residuo.
- Nel recipiente non devono rimanere sedimenti o residui di caffè. L'interno del recipiente può essere facilmente pulito con un detergente delicato e un panno umido.
- Non utilizzare mai spugne abrasive o detergenti abrasivi, o anche spugne di lana d'acciaio o accessori metallici per pulire l'interno e l'esterno dell'apparecchio.
- Pulire l'esterno dell'apparecchio con un panno morbido e umido.
- Infine, asciugare tutte le parti e le superfici pulite con un panno morbido.

Decalcificazione

- L'apparecchio deve essere regolarmente decalcificato. La frequenza di decalcificazione dipende dalla durezza dell'acqua e dalla frequenza di utilizzo dell'apparecchio. Utilizzare solo decalcificatori disponibili in commercio e seguire le istruzioni del produttore.
 - Riempire il recipiente con acqua e una quantità adeguata di decalcificante fino a un livello MASSIMO.
 - Bollire la soluzione nel recipiente.
 - Dopo l'ebollizione, versare la soluzione di acqua e decalcificante secondo le istruzioni del produttore.
- Risciacquare il recipiente e far bollire l'acqua due volte per rimuovere eventuali residui del decalcificante.
- Infine, asciugare tutte le parti e le superfici pulite con un panno morbido.

Stoccaggio

- Prima di mettere l'apparecchio in deposito assicurarsi che è stato scollegato dalla presa di corrente e che è raffreddato completamente.
- Conservare l'apparecchio in un luogo fresco, pulito e asciutto.

Risoluzione dei problemi

Se l'apparecchio non funziona correttamente, leggere la tabella qui sotto per trovare la soluzione corretta.

Se non è possibile risolvere il problema, contattare il rivenditore.

Problema	Causa possibile	Soluzione possibile
L'apparecchio è collegato a una fonte di alimentazione, ma la spia luminosa non si accende.	La spina non è collegata correttamente alla fonte di alimentazione.	Controllare se l'apparecchio è correttamente collegato alla fonte di alimentazione.
	La spia luminosa del processo di riscaldamento è danneggiata.	Contattare il fornitore.
	Il fusibile termico (protezione contro il surriscaldamento) è attivato.	Scollegare la spina di alimentazione e attendere il raffreddamento dell'apparecchio. Quindi, ricominciare l'operazione.
L'apparecchio non si riscalda e la spia luminosa di riscaldamento è accesa.	L'elemento riscaldante danneggiato.	Contattare il fornitore.



Specifiche tecniche

Bollitore per bevande all'unica parete (senza vaschetta raccogliocce e senza coperchio del cesto)

Prodotto n.	211311	211328	211335
Tensione e frequenza di funziona-mento	220-240V~ 50 / 60 Hz		
Consumo energetico nominale	950W	1,650W	1,650W
Capacità approssimativa	8L ± 0,5L	12L ± 1L	16L ± 1L
Grado di protezione	Classe I		
Tempo di preparazione del caffè	32 ± 5 min	35 ± 5 min	40 ± 5 min

Bollitore per bevande a doppia parete (con una vaschetta raccogliocce e con un coperchio del cesto)

Prodotto n.	211342	211359	211366
Tensione e frequenza di funziona-mento	220-240V~ 50 / 60 Hz		
Consumo energetico nominale	950W	950W	1,650W
Capacità approssimativa	6L ± 1,5L	12L ± 2L	16L ± 2L
Grado di protezione	Classe I		
Tempo di preparazione del caffè	26 ± 5 min	32 ± 5 min	37 ± 5 min

Nota: Le specifiche tecniche sono soggette a modifiche senza preavviso.

Garanzia

Qualsiasi difetto che influenza la funzionalità del dispositivo che compaia entro un anno dall'acquisto sarà corretto a titolo interamente gratuito o con la sostituzione del prodotto che è stato utilizzato e sottoposto a manutenzione corretta seguendo le istruzioni, senza alcuna violazione. I diritti legali del cliente non sono assolutamente modificati. Nel caso in cui l'intervento di manutenzione o sostitu-

zione sia previsto nel periodo di validità della garanzia, precisare dove e quando si è acquistato il prodotto, possibilmente allegando lo scontrino.

In linea con la nostra politica di sviluppo continuo dei prodotti, ci riserviamo il diritto di modificare il prodotto, l'imballo e le specifiche di documentazione, senza notifica alcuna.

Smaltimento & Ambiente

Alla fine della vita utile del dispositivo, smaltire conformemente alle normative e linee guida applicabili.

Eliminare i materiali di imballaggio, quali plastica e cartone, negli specifici contenitori.

Stimate client,

Vă mulțumim pentru achiziționarea acestui aparat Hendi. Vă rugăm să citiți cu atenția acest manual înainte de a conecta aparatul pentru evitarea defectării ca urmare a utilizării incorecte. Acordați o atenție deosebită regulilor de siguranță.

Reguli de siguranță


- Operarea incorectă și utilizarea necorespunzătoare a aparatului poate avaria grav aparatul și poate cauza răni oamenilor.
- Aparatul este utilizat exclusiv în scopuri comerciale și nu trebuie folosit pentru uz casnic.
- Aparatul poate fi folosit doar în scopul pentru care a fost proiectat. Producătorul nu este răspunzător pentru orice avariere cauzată operării incorecte și a utilizării necorespunzătoare.
- Asigurați-vă că aparatul și ștecherul nu intră în contact cu apă sau alte lichide. În cazul în care aparatul este scăpat în apă, scoateți imediat ștecherul din priză și un tehnician autorizat trebuie să-l verifice. Dacă nu respectați aceste instrucțiuni, acest lucru poate cauza situații care vă pot pune viața în pericol.
- Nu încercați să deschideți singuri carcasa aparatului.
- Nu introduceți nici un fel de obiecte în carcasa aparatului.
- Nu atingeți ștecherul cu mâinile ude sau umede.
- **Pericol de electrocutare!** Nu încercați să reparați singur/ă aparatul. În cazul unei defecțiuni, reparațiile vor fi efectuate întotdeauna numai de personal calificat.
- **Nu utilizați niciodată un aparat defect!** Deconectați aparatul de la priza electrică și contactați distribuitorul în cazul unei defecțiuni.
- **Avertisment!** Nu scufundați părțile electrice ale aparatului în apă sau în alte lichide. Nu țineți niciodată aparatul sub jet de apă.
- Verificați în mod regulat ștecărul și cablul pentru a vă asigura că nu sunt deteriorate. În cazul în care ștecărul sau cablul de alimentare este deteriorat, acesta trebuie înlocuit de agentul de service sau de alt personal calificat similar pentru a evita orice pericol.
- Cablul nu trebuie să intre în contact cu obiecte ascuțite sau fierbinți și trebuie păstrat departe de foc. Pentru a scoate ștecărul din priză, trageți întotdeauna de ștecăr, nu de cablu.
- Asigurați-vă că nimeni nu poate trage din greșeală cablul (sau prelungitorul) și că nimeni nu se poate împiedica de el.
- Supravegheați întotdeauna aparatul atunci când este în funcțiune.
- Avertisment! Atât timp cât ștecărul este în priză, aparatul este conectat la sursa de electricitate.
- Opriti aparatul înainte de a scoate ștecărul din priză.
- Nu cărați niciodată aparatul ținându-l de cablu.
- Nu utilizați dispozitive suplimentare care nu sunt livrate împreună cu aparatul.
- Conectați aparatul doar la prize electrice cu intensitatea și frecvența electrice menționate pe eticheta aparatului.

RO



- Conectați cablul de alimentare la o priză electrică ușor accesibilă, astfel încât aparatul să poată fi deconectat imediat în caz de urgență. Scoateți cablul de alimentare din priza electrică pentru a opri complet aparatul. Utilizați cablul de alimentare ca dispozitiv de deconectare.
- Opritiți întotdeauna aparatul înainte de a deconecta cablul de alimentare.
- Nu utilizați niciodată accesoriile care nu sunt recomandate de către producător. Acestea pot reprezenta un risc de siguranță pentru utilizator și pot deteriora aparatul. Utilizați numai piese și accesoriile originale.
- Acest aparat nu trebuie folosit de copii sau persoane care au capacități mentale, senzoriale sau fizice reduse, sau lipsă de experiență și cunoștințe.
- Acest aparat nu trebuie utilizat sub nicio formă de către copii.
- Nu țineți produsul și cablurile sale la îndemâna copiilor.
- Copiii nu trebuie să se joace cu acest produs.
- Deconectați întotdeauna aparatul de la sursa de alimentare în cazul în care este lăsat nesupravegheat, precum și înainte de asamblare, dezasamblare sau curățare.
- Nu lăsați niciodată aparatul nesupravegheat pe parcursul utilizării.

Reglementări speciale de siguranță

- Acest aparat este un filtru de cafea. Este destinat exclusiv fierberii cafelei și menținerii temperaturii acesteia pentru a fi vândută în unități comerciale. Nu este adecvat pentru fierberea laptelui, a laptelui cu ciocolată și a altor lichide. Orice altă utilizare poate cauza avariarea aparatului sau vătămări ale persoanelor.
- Nu folosiți acest aparat la gătitul alimentelor, pentru depozitarea și încălzirea lichidelor și substanțelor inflamabile sau periculoase etc.
- Utilizați aparatul doar în conformitate cu indicațiile din acest manual.
- Acest aparat trebuie întreținut și utilizat de către personalul instruit de la bucătăria restaurantului, cantinelor sau personalul barului etc. Aparatul poate fi folosit de alte persoane în locuri care pot fi supravegheate, de exemplu în sălile de masă ale restaurantelor sau hotelurilor.
- Aparatul poate fi folosit la temperaturi ambiante de 15°C ~ 30°C.
-  **Atenție! Suprafață fierbinte!** Temperatura suprafeței accesibile este foarte ridicată în timpul utilizării. Atingeți doar mânerurile, comutatorul și cadranul de temperatură.
- Nu amplasați aparatul pe un obiect de încălzire (aparat de gătit cu benzină, electric, cărbune etc.) Mențineți aparatul la distanță de orice suprafețe fierbinți și de flăcări deschise. Utilizați și așezați întotdeauna aparatul pe o suprafață orizontală, stabilă, curată, termorezistentă și uscată.
- Nu așezați aparatul pe marginea teighelei sau a mesei pentru a evita accidentele. De asemenea, trebuie să vă asigurați că suprafața pe care ați așezat aparatul poate suporta greutatea acestuia atunci când este plin cu lichid.
- Nu umpleți aparatul peste indicatorul de nivel MAX. Umplerea excesivă poate face ca lichidul să se reverse și să provoace arsuri. Verificați și monitorizați în mod frecvent nivelul apei pentru a nu lăsa aparatul să funcționeze fără lichid. Nu porniți niciodată aparatul fără lichid în recipient.

- Nu utilizați aparatul în apropierea materialelor explozibile sau inflamabile, cardurilor de credit, discurilor magnetice sau radiourilor.
- Acest aparat nu este conceput pentru a fi utilizat cu ajutorul unui cronometru extern sau al unui sistem de control separat.
- **AVERTISMENT:** Nu scoateți niciodată capacul și nici nu îl deschideți cât timp aparatul este pornit. Aburul care iese poate provoca arsuri.
- În timpul utilizării, lăsați cel puțin 20 cm în jurul aparatului ca spațiu de ventilație.
- Nu folosiți niciodată jeturi de apă, nu turnați apă direct peste aparat și nu curățați aparatul cu abur, deoarece piesele se vor uda, ceea ce ar duce la electrocutare.
- **Atenție!** Așezați corespunzător cablul de alimentare, dacă este cazul, pentru a împiedica tragerea neintenționată sau contactul cu suprafața de încălzire.
- Nu încercați niciodată să deplasați aparatul cât timp este plin cu apă fierbinte sau rece deoarece este greu.
- Nu curățați și nu depozitați aparatul decât după ce s-a răcit complet.

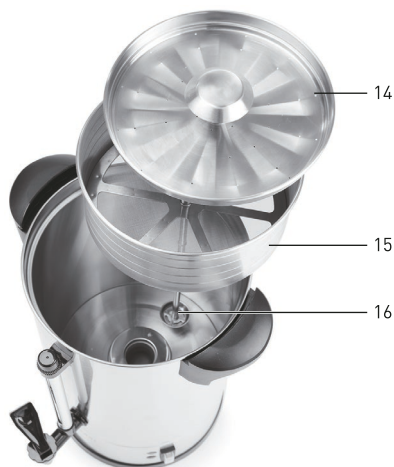
Instalația de împământare

Acest aparat este încadrat în clasa de protecție I și trebuie conectat la împământare de protecție. Împământarea reduce riscul electrocutării prin asigurarea unui fir de ieșire pentru curentul electric.

Acest aparat este dotat cu un cablu cu fir și fișă de împământare. Ștecărul trebuie conectat la o priză instalată corespunzător și împământată.



Principalele piese ale aparatului



1. Indicator de RESETARE (roșu)
2. Indicator de încălzire (portocaliu)
3. Robinet de scurgere
4. Pârghie
5. Indicator de nivel al lichidului
6. Mâner de ridicare (pe ambele laturi)
7. Manetă de blocare a mânerului (pe ambele laturi)
8. Răsuflătoare de abur (pe ambele laturi)
9. Mânerul capacului

10. Capac
11. Recipient
12. Comutator pornit/oprit (verde)
13. Tavă de scurgere (doar pentru articolul 211342, 211359, 211366)
14. Capac de fierbere (doar pentru articolul 211342, 211359, 211366)
15. Coș filtru
16. Conducta filtrului

Observație: Prevederile din acest manual se aplică tuturor modelelor menționate, cu excepția cazurilor în care se specifică altfel. Aspectul aparatului poate fi diferit de cel din ilustrații.

Pregătire înainte de prima utilizare

- Îndepărtați toate ambalajele și învelitorile de protecție.
- Asigurați-vă că aparatul nu este defect. În cazul în care livrarea este incompletă sau dacă există avarii, NU utilizați aparatul. Luați legătura cu furnizorul (Vezi ==> Garanția).
- Curățați aparatul înainte de utilizare (Vezi ==> Curățarea și întreținerea).
- Asigurați-vă că aparatul este complet uscat.
- Amplasați aparatul pe o suprafață orizontală, stabilă și rezistentă la căldură, care este protejată împotriva stropilor de apă.


- Asigurați-vă că există suficientă ventilație. Lăsați o distanță minimă de 20 cm în jurul părții inferioare a vasului.

Notă: Din cauza procesului de fabricație, la primele utilizări aparatul poate emite un miros ușor și puțin fum. Acest lucru este normal și nu este un semn de defecțiune sau de pericol. Aruncați apa rezultată din primele câteva operațiuni pentru a înlătura orice reziduu din procesul de preparare.



Utilizare

Funcțiile pieselor principale

Piesa	Funcția
	Comutator pornit/oprit - Porneste sau opreste aparatul. - Lampa verde se aprinde când aparatul este pornit. Notă: Indicatorul verde nu se aprinde atunci când protecția contra mersului în gol este activată.
Indicator de încălzire (2)	Indicator de încălzire - Se aprinde lumina portocalie care arată că funcția de încălzire este activată.
Indicator de RESETARE (1)	Indicator de resetare - Se aprinde lampa roșie care arată că protecția contra mersului în gol este activată.

Prepararea cafelei

- Verificați dacă robinetul este închis.
- Umpleți recipientul cu cantitatea dorită de apă rece. Puteți verifica umplerea cu ajutorul indicatorului de nivel. Nu turnați apă caldă/fierbinte.
- Puneți în recipient piesele montate ale coșului filtru și țeava filtrului. Verificați ca acestea să fie la baza recipientului.
- În coș puneți cafea măcinată mediu spre grosier. Recomandăm să se pună 40g de cafea la 1 litru de apă.
- Puneți acoperitoarea de fierbere (se livrează doar cu modelele: 211342, 211359, 211366) pe coșul filtru și închideți cu capacul.
- Porniți aparatul apăsând comutatorul în poziția „I” iar lampa verde se va aprinde.
- Începe procesul de fierbere a cafelei apa se încălzește și se ridică prin țeava filtrului.
- După aceasta apa revine la fund trecând prin coșul cu cafeaua.
- Ciclul se repetă și toată cafeaua începe să fiarbă.

Pornește/oprește aparatul

- Se conectează la o priză adecvată.
- Porniți aparatul apăsând comutatorul în poziția „I”. Se va aprinde lumina verde.
- Indicatorul de ÎNCĂLZIRE se va aprinde în culoarea portocalie.

După utilizare

- Opriți aparatul apăsând comutatorul în poziția „0” și scoateți aparatul din priză.

Notă:

- Nu umpleți aparatul dincolo de semnul MAX de pe peretele interior al vasului.
- Este recomandabil să se pornească aparatul dacă nivelul lichidului afișat de indicator este prea scăzut.
- Nu depozitați lichidul o perioadă prea îndelungată.
- După umplere închideți întotdeauna capacul, introducând sau scoțând coșul filtru și țeava filtrului.
- Apoi fixați-l prin rotirea în sensul acelor de ceasornic.
- Lăsați întotdeauna aparatul să se răcească complet înainte de a începe un alt ciclu de preparare.



- **Notă:** Indicatorul de încălzire se va aprinde și se va stinge automat pentru a arăta că se execută funcția de încălzire.

RO



Distribuirea

- Ceașca trebuie adusă cât mai aproape posibil sub robinet.
- Trageți în jos maneta robinetului pentru a turna cantitatea dorită de cafea.

- După ce ați terminat de turnat trageți maneta înapoi

Notă: Ceașca umplută se încinge foarte tare. Fiți atenți.

Curățare și întreținere

Atenție: Scoateți întotdeauna aparatul din priză și lăsați-l să se răcească complet înainte de curățare și depozitare.

Curățare

- Curățați bine aparatul înainte și după fiecare utilizare.
- Nu scufundați niciodată aparatul în apă sau în alte lichide.
- Nu curățați aparatul cu jet de apă.
- Spălați bine robinetul și indicatorul de nivel.
- Curățați coșul filtru, țeava, capacul și acoperitoarea de fierbere cu apă călduță și cu un agent de curățare moale, pentru mașinile de cafea de uz profesional. Respectați instrucțiunile producătorului.
- Toate piesele curățate trebuie clătire cu apă pentru a se îndepărta resturile de agent de curățare.

- Recipientul trebuie curățat de depuneri și de resturile de cafea. El poate fi curățat cu ușurință în interior cu ajutorul unui agent de curățare moale și cu o cârpă umedă.
- Nu folosiți niciodată bureți sau detergenți abrazivi, bureți de sârmă sau ustensile metalice pentru a curăța părțile interioare sau exterioare ale aparatului.
- Ștergeți suprafața exterioară a recipientului cu o cârpă moale umedă.
- În cele din urmă uscați toate piesele și suprafețele curățate ștergându-le cu o cârpă moale.

RO

Curățarea depunerilor de calcar

- Depunerile de calcar trebuie curățate în mod regulat. Intervalele de curățare a calcarului depind de durezza apei și de frecvența utilizării. Utilizați doar agenți de îndepărtare a calcarului care se găsesc în comerț și respectați instrucțiunile producătorului.
 - Umpleți recipientul până la nivelul MAX cu apă în care ați pus o cantitate adecvată de agent de îndepărtare a calcarului.

- Puneți soluția la fiert.

- După fierbere aruncați soluția de apă și agent de curățare.

- Clătiți recipientul și mai fierbeți o dată pentru a elimina toate reziduurile.
- În cele din urmă uscați toate piesele și suprafețele curățate ștergându-le cu o cârpă moale.

Depozitare

- Asigurați-vă întotdeauna înainte de depozitare că aparatul a fost deconectat de la sursa de alimentare și s-a răcit complet.

- Depozitați aparatul într-un loc răcoros, curat și uscat.



Depanare

Dacă aparatul nu funcționează corespunzător, consultați tabelul de mai jos pentru a găsi soluția. Dacă problema tot nu poate fi rezolvată, luați legătura cu furnizorul/agentul de service.

Probleme	Cauze posibile	Soluții posibile
Aparatul este conectat la sursa de curent, dar indicatorul de încălzire nu se aprinde.	Aparatul nu este conectat în mod corect la priza de alimentare.	Verificați din nou conexiunea.
	Indicatorul de încălzire este defect.	Contactați furnizorul.
	Limitatorul de nivel (separatorul termic) este activat.	Scoateți aparatul din priză și lăsați-l să se răcească complet. Apoi porniți din nou aparatul.
Aparatul nu se încălzește dar indicatorul de încălzire se aprinde.	Elementul de încălzire este defect	Contactați furnizorul.

Specificații tehnice

Aparate cu un singur perete pentru fiert lichide (tava de scurgere și acoperitoarea de fierbere nu se livrează)

Articol nr.	211311	211328	211335
Tensiune și frecvență de funcționare	220-240V~ 50 / 60 Hz		
Puterea nominală de intrare	950W	1,650W	1,650W
Capacitate aproximativă	8L ± 0.5L	12L ± 1L	16L ± 1L
Clasa de protecție	Clasa I		
Timpul aproximativ de fierbere a cafelei	32 ± 5 min	35 ± 5 min	40 ± 5 min

Aparate cu pereți dubli pentru fiert lichide (tava de scurgere și acoperitoarea de fierbere se livrează)

Articol nr.	211342	211359	211366
Tensiune și frecvență de funcționare	220-240V~ 50 / 60 Hz		
Puterea nominală de intrare	950W	950W	1,650W
Capacitate aproximativă	6L ± 1.5L	12L ± 2L	16L ± 2L
Clasa de protecție	Clasa I		
Timpul aproximativ de fierbere a cafelei	26 ± 5 min	32 ± 5 min	37 ± 5 min

Observație: Specificația tehnică poate fi modificată fără preaviz.

Garanție

Orice defecțiune care afectează funcționarea aparatului apărută la mai puțin de un an de la cumpărarea acestuia va fi remediată prin reparație sau înlocuire gratuită, cu condiția ca aparatul să fi fost folosit și întreținut conform instrucțiunilor nu să nu fi fost bruscat sau folosit necorespunzător în vreun fel. Drepturile dumneavoastră legale nu sunt afec-

tate. Dacă aparatul este în garanție, menționați când și de unde a fost cumpărat și includeți dovada cumpărării (de ex. chitanța).

Conform politicii noastre de dezvoltare continuă a produsului, ne rezervăm dreptul de a modifica produsul, ambalajul și documentația fără notificare.

Eliminarea și mediul înconjurător

La sfârșitul vieții aparatului, vă rugăm să-l eliminați conform regulamentelor și instrucțiunilor aplicabile în acel moment.

Aruncați ambalajul (plastic sau carton) în recipientele corespunzătoare.



Большое Вам спасибо за то, что Вы купили оборудование фирмы Hendi. Вам следует внимательно прочитать настоящую инструкцию пользователя во избежание повреждения машины в результате неправильной эксплуатации. Особенно рекомендуем ознакомиться с предупреждениями.

Правила техники безопасности


- Неправильная эксплуатация и неподходящее использование агрегата может привести к его поломке и поранить оператора.
- Настоящее устройство предназначено исключительно для коммерческого использования и не должно использоваться в домашних условиях.
- Оборудование следует использовать точно по назначению. Производитель не несет ответственности за повреждения, вызванные неправильной эксплуатацией или неправильным обслуживанием оборудования.
- Оборудование и электрическую штепсельную вилку следует держать вдали от воды и прочих жидкостей. Если штепсельная вилка попадет в воду, ее следует тут же вытащить из розетки электропитания и обратиться в службу сертифицированного сервиса для проверки устройства. Несоблюдение данных указаний может повлечь за собой угрозу здоровью и жизни обслуживающего персонала.
- Нельзя снимать кожух без особого разрешения.
- Нельзя класть никаких посторонних предметов вовнутрь агрегата.
- Нельзя касаться мокрыми, или влажными руками штепсельной вилки.
- **Опасность поражения током!** Не следует самостоятельно чинить электроаппаратуру. Любые поломки и неисправности должны устраняться квалифицированным персоналом.
- **Никогда не следует пользоваться поврежденной электроаппаратурой.** Поврежденное устройство нужно отсоединить от электросети и обратиться к продавцу.
- **Предупреждение:** не следует погружать электрических деталей в воду, или иные жидкости. Не омыwać в струе воды.
- Регулярно проверять вилку и провод электропитания на предмет повреждений. Поврежденные вилку или провод передать для ремонта в сервисную точку, или обратиться к квалифицированному электрику во имя предотвращения опасности травм.
- Удостовериться, что провод электропитания не касается острых и горячих предметов; держать электропровод вдали от открытого огня. Для того, чтобы вынуть вилку из розетки всегда нужно тянуть за вилку, а не за электропровод.
- Защитить провод электропитания (удлинитель) от случайного выпадения из розетки. Электропровод прокладывать так, чтобы случайно не зацепиться за него.
- Непрестанно наблюдать за работающей электроаппаратурой.
- Предупреждение! Если вилка находится в розетке – это означает, что электроаппаратура считается подключенной к электропитанию.
- Перед тем, как вынуть вилку из розетки, электроаппаратуру следует выключить!
- Никогда нельзя переносить, передвигать электроаппаратуру держа за электропровод.

- Не использовать никаких деталей, аксессуаров, которые не поставляются вместе с этой электроаппаратурой.
- Электроаппаратуру следует подключать исключительно к розетке, в которой имеется напряжение и частота, указанную на щитке электроаппаратуры.
- Вилку следует вставлять в розетку, расположенную в удобном и легкодоступном месте, так чтобы в случае аварии можно бы ее немедленно вынуть. Для полного обесточивания электроаппаратуры ее следует отсоединить от электропитания; для этого следует вынуть вилку, находящуюся на конце провода электропитания, из розетки.
- Перед тем, как вынуть вилку всегда следует помнить о том, чтобы сначала выключить электроаппаратуру!
- Не следует использовать детали, аксессуары, не рекомендуемые производителем данной электроаппаратуры, т.к. использование таких деталей, аксессуаров может создать для пользователя угрозу его здоровью и жизни, а также может привести к поломке электроаппаратуры. Следует всего использовать оригинальные детали, аксессуары.
- Без надлежащего контроля или предварительного обучения эксплуатации оборудования проводимого лицом, отвечающим за безопасную эксплуатацию, оборудованием не могут пользоваться ни дети, ни лица с ограниченными физическими, или психическими возможностями, ни лица, которые не обладают необходимым опытом работы и знаниями в данной области.
- Ни в коем случае нельзя допускать к использованию электроаппаратуры детей.
- Электроаппаратуру следует хранить в месте недоступном для детей.
- Нельзя разрешать детям использовать электроаппаратуру в качестве игрушки.
- Всегда электроаппаратуру следует отсоединить от электропитания, если оставляем ее без надзора, перед монтажом, демонтажем и чисткой.
- Нельзя оставлять работающую электроаппаратуру без надзора.

Специальные правила безопасности

- Устройство используется для заваривания кофе. Устройство предназначено для коммерческого использования и используется только для приготовления кофе и поддержания его при температуре, пригодной для питья. Устройство подходит для нагрева молока, питьевого шоколада и других напитков. Использование устройства для любых других целей может привести к повреждению устройства или травме.
- Не используйте устройство для приготовления пищевых продуктов, хранения и нагрева легковоспламеняющихся или опасных жидкостей, веществ и т.п.
- Используйте устройство только в соответствии с руководством.
- Устройство должно эксплуатироваться и обслуживаться только обученным персоналом кухни ресторанов, столовых, баров и т.п. Устройство может эксплуатироваться другими людьми в месте, где можно контролировать его использование, например, в ресторанах или гостиницах.
- Температура окружающей среды в месте, где используется устройство, должна составлять от 15°C до 30 °C.



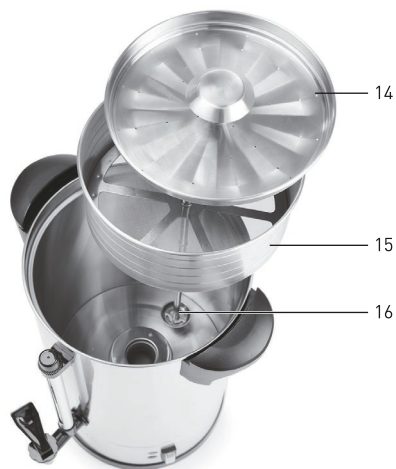
-  **Внимание! Горячая поверхность!** Температура доступных поверхностей устройства во время использования очень высокая. Прикасайтесь только к ручкам, переключателю и ручке регулятора температуры.
- Не размещайте устройство на объекте, излучающем тепло (газовая, электрическая плита, гриль и т.п.). Держите устройство подальше от любых горячих поверхностей или открытого пламени. Устройство устанавливать и эксплуатировать на ровной, стабильной, чистой и сухой поверхности, устойчивой к высоким температурам.
- Во избежание несчастных случаев не размещайте устройство на краю столешницы или стола. Убедитесь, что поверхность, на которой устройство будет установлено, будет стабильная после его заполнения.
- Не заполняйте устройство выше указанного МАКСИМАЛЬНОГО уровня. Переполнение устройства может привести к разбрызгиванию и ожогам. Регулярно проверяйте уровень воды в устройстве, чтобы не нагревать пустой резервуар. Никогда не включайте устройство без воды в резервуаре.
- Не используйте устройство вблизи взрывчатых или легковоспламеняющихся материалов, платежных карт, магнитных дисков или радиоприемников.
- Устройство не предназначено для управления внешним таймером или отдельной системой дистанционного управления.
- **ПРЕДУПРЕЖДЕНИЕ:** Никогда не снимайте и не открывайте крышку устройства во время работы. Из открытого устройства может выйти пар, приводящий к ожогам.
- Обеспечьте, по крайней мере, 20-сантиметровое пространство вокруг устройства, чтобы обеспечить надлежащую вентиляцию во время работы.
- Не чистите устройство с помощью струи воды под давлением или с помощью парочистителя, не промывайте устройство водой, так как это приведет к отсырению или увлажнению деталей внутри устройства, что может привести к поражению электрическим током.
- **Внимание!** Правильно проведите и закрепите шнур питания, чтобы предотвратить случайное вытягивание или контакт с нагретой поверхностью.
- Не переносите устройство, когда оно заполнено водой (горячей или холодной) из-за его веса.
- Не чистите и не размещайте устройство в месте хранения пока оно полностью не остынет.

Монтаж заземления

Кипятильник - это устройство I класса защиты и должно быть заземлено. Заземление снижает риск поражения электрическим током за счет использования отводящего провода. Устройство

оснащено проводом заземления с заземляющей вилкой. Вилка должна быть подключена к розетке переменного тока, которая надлежащим образом установлена и заземлена.

Основные части устройства



1. Световой индикатор RESET (красный)
2. Лампа, сигнализирующая о режиме нагрева (оранжевая)
3. Дозатор
4. Рычаг дозатора
5. Указатель уровня воды
6. Подъемные ручки (с двух сторон)
7. Блокирующие зажимы (с двух сторон)
8. Выпуск пара (с двух сторон)
9. Ручка крышки

10. Крышка
11. Резервуар
12. Переключатель ON/OFF (зелёный)
13. Поддон (только в моделях 211342, 211359, 211366)
14. Крышка корзины (только в моделях 211342, 211359, 211366)
15. Корзина с фильтром
16. Трубка кофеварки

Примечание. Содержание этого руководства относится ко всем упомянутым моделям, если не указано иное. Внешний вид устройства может отличаться от внешнего вида, показанного на рисунках.

Перед первым использованием


- Удалите и выбросьте упаковку и защиты.
- Проверьте, что устройство не повреждено. В случае неполной поставки или повреждений, НЕ используйте устройство. Свяжитесь с поставщиком (Смотри==> Гарантия).
- Очистите устройство перед использованием (Смотри ==> Очистка и техническое обслуживание).
- Проверьте, полностью ли сухое устройство.
- Поместите устройство на ровную стабильную поверхность, устойчивую к высоким температурам и к воздействию брызг.
- Обеспечьте необходимую вентиляцию. Обеспечьте, по крайней мере, 20 см пространства вокруг устройства.

Примечание: Из-за остатка от производственного процесса, в течение первых нескольких запусков из устройства может выходить слабый, специфический запах и дым. Это нормальное явление и не указывает на повреждение устройства или опасность для пользователя. Вылейте воду после первых нескольких циклов приготовления, чтобы удалить все остатки от производственного процесса.



Обслуживание

Функции основных частей устройства

Часть	Функция
	Переключатель ON/OFF - Включает или выключает устройство. - Если устройство работает, переключатель светится зеленым цветом. Примечание: Переключатель не светится зеленым цветом, если сработала защита от пустого подогрева резервуара.
Световой индикатор (2)	Световой индикатор - Загорается оранжевым цветом, если начался процесс нагрева.
Световой индикатор RESET (1)	Световой индикатор RESET - Загорается красным цветом, если сработала защита от пустого подогрева резервуара.

Заваривание кофе

- Убедитесь, что дозатор закрыт.
- Заполните резервуар холодной водой. Вы можете проверить уровень воды благодаря указателю. Не заливайте в резервуар теплую или горячую воду.
- Поместите в резервуар собранные части корзины с фильтром и трубкой кофеварки. Они должны быть установлены посередине дна резервуара.
- Всыпьте грубый или средний молотый кофе в корзину фильтра и распределите его равномерно. Рекомендуется всыпать 40 г молотого кофе на 1 литр воды в резервуаре.
- Установите крышку на корзину фильтра (только в моделях 211342, 211359 и 211366) и закройте крышку кофеварки.
- Включите устройство, нажав переключатель ON/OFF - в положение „I“. Загорится зелёная лампочка.
- Начнётся процесс заваривания кофе - вода нагревается и поднимается через трубку кофеварки.
- Затем она течет на дно через корзину с фильтром и кофе.
- Цикл повторяется несколько раз, пока весь кофе не заварится.

Внимание:

- Не заполняйте устройство выше МАКСИМАЛЬНОГО уровня, указанного на внутренней стенке резервуара.
- Рекомендуется не использовать устройство, если уровень жидкости в устройстве, показанный на указателе, слишком низок.
- Не оставляйте жидкость в резервуаре в течение длительного времени.
- Всегда закрывайте крышку после заполнения резервуара, вставления или удаления корзины фильтра и трубки кофеварки.
- Зафиксируйте, повернув её по часовой стрелке.
- Подождите, пока устройство полностью остынет и тщательно промойте перед повторным использованием.



Switch ON/OFF the appliance

Включение / выключение устройства

- Подключите устройство к электрической розетке.
- Включите устройство, нажав переключатель ON/OFF - установка в положение „I“. Переключатель ON/OFF загорится зелёным цветом.

- Загорится лампа, сигнализирующая о режиме НАГРЕВА

Примечание: Лампа, сигнализирующая о режиме нагрева будет автоматически мигать, что означает, что активирован режим нагрева.

После использования

- Выключите устройство, установив переключатель в положение „0” и отсоедините устройство от источника питания.

Наливание напитка

- Поместите под дозатор подходящий стакан или чашку, как можно ближе к устройству.
- Нажмите рычаг дозатора, чтобы налить нужное количество кофе
- После окончания заливки переместите рычаг назад.

Примечание: заполненный стакан / чашка может очень нагреваться. Будьте осторожны.

Очистка и техническое обслуживание

Замечание: Перед началом технического обслуживания и размещением устройства на хранение, всегда отключайте устройство от электросети и подождите, пока оно остынет.

Очистка

- Мойте устройство перед и после каждого использования.
- Никогда не погружайте устройство в воду или другие жидкости.
- Не чистите устройство струей воды.
- Тщательно промойте дозатор и указатель уровня жидкости.
- Очистите корзину фильтра, трубку кофеварки, крышку кофеварки, крышку корзины горячей водой и мягким, общедоступным чистящим средством для профессиональных кофеварок. Следуйте инструкциям производителя.
- Все части устройства должны быть промыты водой для удаления остатков чистящего средства.

- В резервуаре не должен оставаться осадок или остатки кофе. Внутреннюю часть резервуара можно легко очистить мягким моющим средством и влажной тканью.
- Для очистки внутренней и внешней поверхности устройства, никогда не используйте абразивные губки или абразивные моющие средства, а также губки с металлической мочалкой или металлический инструмент.
- Протрите внешнюю поверхность устройства мягкой влажной тканью.
- Наконец, высушите все очищенные детали и поверхности устройства мягкой тканью.

Удаление накипи

- В устройстве следует регулярно удалять накипь. Частота удаления накипи зависит от твердости воды и частоты использования устройства. Используйте только общедоступные средства для удаления накипи и следуйте инструкциям производителя.
 - Заполните резервуар водой и необходимым количеством средства для удаления накипи до указанного МАКСИМАЛЬНОГО уровня.

- Вскипятите раствор в резервуаре.
- После кипячения, вылейте раствор воды и средство для удаления накипи в соответствии с указаниями производителя.
- Промойте резервуар и дважды вскипятите воду, чтобы удалить все остатки средства для удаления накипи.
- Наконец, высушите все очищенные детали и поверхности устройства мягкой тканью.

Хранение

- Перед размещением устройства на хранение, убедитесь, что оно отключено от сети и полностью остыло.

- Храните устройство в холодном, чистом и сухом месте



Поиск и устранение неисправностей

Если устройство не работает должным образом, обратитесь к приведенной ниже таблице, чтобы найти правильное решение. Если вы не можете решить проблему, обратитесь к поставщику.

Проблема	Возможная причина	Предлагаемое решение
Устройство подключено к источнику питания, но световой индикатор не загорается.	Вилка неправильно подключена к источнику питания.	Проверьте правильность подключения устройства.
	Повреждена лампа, сигнализирующая о процессе нагрева.	Свяжитесь с поставщиком.
	Сработал тепловой предохранитель (защита от перегрева).	Отключите вилку сетевого шнура и подождите, пока устройство остынет. Включите снова.
Устройство не нагревается, а световой индикатор, сигнализирующий о режиме нагрева, горит.	Поврежден нагревательный элемент.	Свяжитесь с поставщиком.

Технические характеристики

Кипятильник для напитков с одиночными стенками (без поддона и крышки корзины)

№ продукта	211311	211328	211335
Рабочее напряжение и частота	220-240В~ 50 / 60 Гц		
Номинальная потребляемая мощность	950Вт	1,650Вт	1,650Вт
Примерный объём	8L ± 0.5L	12L ± 1L	16L ± 1L
Степень защиты	I Класс		
Расчетное время варки кофе	32 ± 5 мин	35 ± 5 мин	40 ± 5 мин

Кипятильник для напитков с двойными стенками (с поддоном и крышкой корзины)

№ продукта	211342	211359	211366
Рабочее напряжение и частота	220-240В~ 50 / 60 Гц		
Номинальная потребляемая мощность	950Вт	950Вт	1,650Вт
Примерный объём	6L ± 1.5L	12L ± 2L	16L ± 2L
Степень защиты	I Класс		
Расчетное время варки кофе	26 ± 5 мин	32 ± 5 мин	37 ± 5 мин

Примечание. Технические характеристики могут быть изменены без уведомления.



Гарантия

Любая недоделка или поломка, которая влечет за собой неправильную работу устройства, которая будет выявлена в течение первого года от даты покупки, будет устранена бесплатно, или же все устройство будет заменено новым, если оно эксплуатировалось и обслуживалось согласно инструкции по обслуживанию и не использовалось неправильно, или в разрез с назначением. Данное положение ни в коей мере не нарушает иных прав потребителя, изложенных в законо-

дательстве. В случае заявления устройства в ремонт или на замену в рамках гарантии, следует указать место и дату покупки устройства и приложить счет, или чековую квитанцию.

Согласно нашей политике совершенствования наших продуктов оставляем за собой право на ввод изменений в конструкцию, упаковку и в технические параметры, указываемые в технической документации без предупреждения.

Списание с эксплуатации. Защита окружающей среды

Оборудование, изношенное и списанное с эксплуатации следует утилизировать согласно правилам и указаниям, действующим на день снятия с эксплуатации.

Материалы упаковки, такие как пластик, картонные коробки, древесина, следует складировать отдельно в соответствующие контейнеры.



Αγαπητέ πελάτη,


Ευχαριστούμε που αγοράσατε αυτό το προϊόν HENDI. Διαβάστε προσεκτικά το παρόν εγχειρίδιο πριν συνδέσετε τη συσκευή, προκειμένου να προλάβετε πιθανή βλάβη που μπορεί να οφείλεται σε λανθασμένη χρήση. Διαβάστε ιδίως τους κανονισμούς ασφαλείας πολύ προσεκτικά.

Κανονισμοί ασφαλείας

- Αυτή η συσκευή προορίζεται μόνο για επαγγελματική χρήση και δεν πρέπει να χρησιμοποιείται για οικιακή χρήση.
- Η συσκευή πρέπει να χρησιμοποιείται μόνο για τον σκοπό για τον οποίο προορίζεται και σχεδιάστηκε. Ο κατασκευαστής δεν ευθύνεται για τυχόν ζημιές που προκλήθηκαν από εσφαλμένη λειτουργία και ακατάλληλη χρήση.
- Κρατήστε τη συσκευή και το βύσμα μακριά από νερό και άλλα υγρά. Σε περίπτωση που η συσκευή πέσει μέσα σε νερό, αφαιρέστε αμέσως το βύσμα από την πρίζα και μην τη χρησιμοποιήσετε μέχρι να ελεγχθεί η συσκευή από πιστοποιημένο τεχνικό. Η μη τήρηση των οδηγιών ενδέχεται να προκαλέσει κίνδυνο προς τη ζωή.
- Μην επιχειρήσετε ποτέ να ανοίξετε μόνοι σας το περίβλημα της συσκευής.
- Μην εισάγετε αντικείμενα στο περίβλημα της συσκευής.
- Μην αγγίζετε το βύσμα με υγρά χέρια.
- Κίνδυνος ηλεκτροπληξίας! Μην επιχειρήσετε να επισκευάσετε μόνοι σας τη συσκευή. Σε περίπτωση δυσλειτουργίας, οι επισκευές πρέπει να διενεργούνται μόνο από εξειδικευμένο προσωπικό.
- Μην χρησιμοποιείτε ποτέ συσκευή με βλάβη! Σε περίπτωση βλάβης, αποσυνδέστε τη συσκευή από την πρίζα και επικοινωνήστε με τον πωλητή.
- Προειδοποίηση! Μην βυθίζετε τα ηλεκτρικά μέρη της συσκευής σε νερό ή άλλα υγρά. Μην βάζετε ποτέ τη συσκευή κάτω από τρεχούμενο νερό.
- Ελέγχετε τακτικά το βύσμα και το καλώδιο τροφοδοσίας για τυχόν ζημιές. Εάν το βύσμα ή το καλώδιο τροφοδοσίας είναι κατεστραμμένο, πρέπει να αντικατασταθεί από τεχνικό σέρβις ή εξειδικευμένα άτομα για την αποφυγή τυχόν κινδύνου ή τραυματισμού.
- Βεβαιωθείτε ότι το καλώδιο δεν έρχεται σε επαφή με αιχμηρά ή θερμά αντικείμενα και κρατήστε το μακριά από φωτιά. Για να βγάλετε το βύσμα από την πρίζα, να τραβάτε πάντα το βύσμα και όχι το καλώδιο.
- Βεβαιωθείτε ότι το καλώδιο (ή το καλώδιο επέκτασης) είναι τοποθετημένο έτσι ώστε να μην προκαλέσει κίνδυνο να σκοντάψει κανείς.
- Να προσέχετε πάντα τη συσκευή κατά τη χρήση.
- Προειδοποίηση! Όσο το βύσμα είναι στην πρίζα, η συσκευή είναι συνδεδεμένη στην πηγή τροφοδοσίας.
- Απενεργοποιήστε τη συσκευή πριν τραβήξετε το βύσμα από την πρίζα.
- Ποτέ μην μεταφέρετε τη συσκευή από το καλώδιο.
- Μην χρησιμοποιείτε συσκευές που δεν παρέχονται μαζί με τη συσκευή.
- Συνδέστε τη συσκευή μόνο σε ηλεκτρική πρίζα με τάση και συχνότητα που αναφέρονται στην ετικέτα της συσκευής.

- Συνδέστε το βύσμα σε μια εύκολα προσβάσιμη ηλεκτρική πρίζα έτσι ώστε σε περίπτωση έκτακτης ανάγκης η συσκευή να μπορεί να αποσυνδεθεί αμέσως. Για να απενεργοποιήσετε πλήρως τη συσκευή, βγάλτε το βύσμα από την πρίζα.
- Απενεργοποιείτε πάντα τη συσκευή πριν αποσυνδέσετε το βύσμα.
- Μην χρησιμοποιείτε ποτέ εξαρτήματα διαφορετικά από αυτά που συνιστώνται από τον κατασκευαστή. Σε αντίθετη περίπτωση, μπορεί να δημιουργηθεί κίνδυνος για τον χρήστη και να προκληθεί ζημιά στη συσκευή. Χρησιμοποιείτε μόνο αυθεντικά εξαρτήματα και αξεσουάρ.
- Αυτή η συσκευή δεν προορίζεται για χρήση από άτομα (συμπεριλαμβανομένων παιδιών) με μειωμένες σωματικές, αισθητήριες ή διανοητικές ικανότητες ή με έλλειψη πείρας και γνώσης.
- Αυτή η συσκευή δεν πρέπει, σε καμία περίπτωση, να χρησιμοποιείται από παιδιά.
- Κρατήστε τη συσκευή και το καλώδιο μακριά από παιδιά.
- Να αποσυνδέετε πάντα τη συσκευή από το ρεύμα εάν αφήνεται χωρίς επιτήρηση ή δεν χρησιμοποιείται και πριν από εργασίες συναρμολόγησης, αποσυναρμολόγησης ή καθαρισμού.
- Μην αφήνετε ποτέ τη συσκευή χωρίς επιτήρηση ενώ βρίσκεται σε λειτουργία.

Ειδικό κανονισμοί ασφαλείας

- Η συσκευή είναι μια καφετιέρα. Προορίζεται για εμπορική χρήση και μόνο για την παρασκευή καφέ και τη διατήρηση της θερμοκρασίας σερβιρίσματος. Δεν είναι κατάλληλη για χρήση με γάλα, σοκολατούχο γάλα ή άλλα υγρά. Οποιαδήποτε άλλη χρήση μπορεί να προκαλέσει ζημιά στη συσκευή ή τραυματισμό.
- Μην χρησιμοποιείτε τη συσκευή για μαγείρεμα τροφίμων, αποθήκευση και θέρμανση εύφλεκτων, επικίνδυνων ή αναφλέξιμων υγρών, ουσιών κλπ.
- Χρησιμοποιείτε τη συσκευή μόνο όπως περιγράφεται στο παρόν εγχειρίδιο.
- Η συσκευή πρέπει να χειρίζεται και να τοποθετείται από εκπαιδευμένο προσωπικό σε κουζίνα εστιατορίου, καντίνας, μπαρ κλπ. Μπορεί να χρησιμοποιηθεί από άλλα άτομα σε θέση όπου επιτρέπεται η χρήση της, π.χ. σε μπουφέ εστιατορίων ή ξενοδοχείων.
- Η συσκευή πρέπει να χρησιμοποιείται σε θερμοκρασία περιβάλλοντος από 15°C ~ 30°C.
-  **Προσοχή! Καυτή επιφάνεια!** Η θερμοκρασία που αναπτύσσεται στην εξωτερική επιφάνεια της συσκευής είναι πολύ υψηλή κατά τη διάρκεια της χρήσης. Αγγίζετε μόνο τις λαβές, τον διακόπτη ON/OFF και τον διακόπτη θερμοκρασίας.
- Μην τοποθετείτε τη συσκευή επάνω σε αντικείμενο θέρμανσης (βενζίνης, ηλεκτρικό, φούρνο με κάρβουνα κλπ). Διατηρείτε τη συσκευή μακριά από θερμές επιφάνειες και ανοικτές φλόγες. Να τοποθετείτε και να χρησιμοποιείτε πάντα τη συσκευή σε επίπεδη, σταθερή, καθαρή, στεγνή και ανθεκτική στη θερμότητα επιφάνεια.
- Μην τοποθετείτε τη συσκευή στο άκρο του πάγκου ή το πλάι του τραπεζιού, για την αποφυγή ατυχημάτων. Επίσης, διασφαλίστε ότι η επιφάνεια στην οποία τοποθετείτε τη συσκευή είναι ικανή να υποστηρίξει το βάρος της με νερό.
- Μην γεμίζετε τη συσκευή πάνω από την ένδειξη στάθμης MAX, καθώς ενδέχεται να προκληθούν εγκαύματα από την εκτίναξη καυτού νερού! Ελέγχετε και παρακολουθείτε τη στάθμη του νερού τακτικά, για να αποφύγετε την εξάτμισή του. Μην χρησιμοποιείτε ποτέ τη συσκευή χωρίς νερό στο δοχείο.



- Μην χρησιμοποιείτε τη συσκευή κοντά σε εκρηκτικά ή εύφλεκτα υλικά, πιστωτικές κάρτες, μαγνητικούς δίσκους ή ραδιόφωνα.
- Η συσκευή δεν προορίζεται για λειτουργία μέσω εξωτερικού χρονοδιακόπτη ή ξεχωριστού συστήματος τηλεχειρισμού.
- **ΠΡΟΕΙΔΟΠΟΙΗΣΗ:** Ποτέ μην αφαιρείτε ή ανοίγετε το καπάκι ενώ η συσκευή λειτουργεί. Μπορεί να εξέλθει ατμός και να προκληθούν εγκαύματα.
- Αφήστε τουλάχιστον 20 cm ελεύθερο χώρο γύρω από τη συσκευή για λόγους αερισμού κατά τη χρήση.
- Μην χρησιμοποιείτε πίδακες νερού και μην ξεπλένετε άμεσα με νερό ή συσκευές καθαρισμού με ατμό, καθώς τα εξαρτήματα θα βραχούν και μπορεί να προκληθεί ηλεκτροπληξία.
- **Προσοχή!** Στερεώστε, εάν είναι απαραίτητο, το καλώδιο τροφοδοσίας για να αποφύγετε τυχόν ακούσιο τράβηγμα ή επαφή με την επιφάνεια θέρμανσης.
- Μην επιχειρήσετε να μετακινήσετε τη συσκευή όταν είναι γεμάτη με ζεστό ή κρύο νερό καθώς είναι βαριά.
- Μην καθαρίζετε ή αποθηκεύετε τη συσκευή εάν δεν έχει κρυώσει πλήρως.

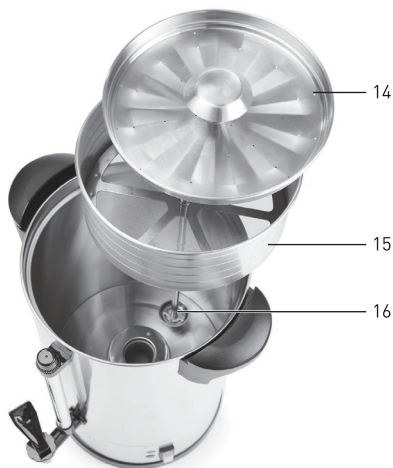
Γείωση

Αυτή η συσκευή ταξινομείται στην κλάση προστασίας Ι και πρέπει να συνδέεται με γείωση προστασίας. Η γείωση μειώνει τον κίνδυνο ηλεκτροπληξίας παρέχοντας ένα καλώδιο διαφυγής για το ηλεκτρικό ρεύμα.

Αυτή η συσκευή είναι εξοπλισμένη με καλώδιο που φέρει καλώδιο γείωσης με βύσμα γείωσης. Το βύσμα πρέπει να είναι συνδεδεμένο σε σωστά τοποθετημένη και γειωμένη πρίζα.

GR

Βασικά εξαρτήματα της συσκευής



1. Ενδεικτική λυχνία ΕΠΑΝΑΦΟΡΑΣ (κόκκινη)
2. Ενδεικτική λυχνία θέρμανσης (πορτοκαλί)
3. Στόμιο εκροής
4. Κάνουλα
5. Δείκτης στάθμης νερού
6. Λαβές (και στις δύο πλευρές)
7. Ασφάλειες λαβών (και στις δύο πλευρές)
8. Οπή εξαερισμού ατμού (και στις δύο πλευρές)
9. Λαβή καπακιού
10. Καπάκι
11. Δοχείο
12. Διακόπτης ON/OFF (πράσινος)
13. Δίσκος αποστράγγισης (μόνο για τα προϊόντα 211342, 211359, 211366)
14. Κάλυμμα παρασκευής καφέ (μόνο για τα προϊό-
ντα 211342, 211359, 211366)
15. Κάδος φίλτρου
16. Σωλήνας καφετιέρας

Σημείωση: Το περιεχόμενο του παρόντος εγχειριδίου ισχύει για όλα τα καταχωρημένα προϊόντα, εκτός εάν ορίζεται διαφορετικά. Η εμφάνιση του προϊόντος ενδέχεται να διαφέρει από τις εμφανιζόμενες εικόνες.

Προετοιμασία πριν από την πρώτη χρήση

- Αφαιρέστε κάθε προστατευτική συσκευασία.
- Βεβαιωθείτε ότι η συσκευή δεν φέρει ζημιές. Σε περίπτωση μη ολοκληρωμένης παράδοσης ή ζημιών, ΜΗΝ χρησιμοποιείτε τη συσκευή. Επικοινωνήστε με τον προμηθευτή (Βλ. ==> Εγγύηση).
- Καθαρίστε τη συσκευή πριν από την χρήση (Βλ. ==> Καθαρισμός και συντήρηση).
- Βεβαιωθείτε ότι η συσκευή είναι τελείως στεγνή.
- Τοποθετήστε τη συσκευή σε μια επιφάνεια, σταθερή και ανθεκτική στη θερμότητα επιφάνεια, προστατευμένη από το νερό.


- Βεβαιωθείτε ότι υπάρχει επαρκής αερισμός. Αφήστε τουλάχιστον 20 cm ελεύθερο χώρο γύρω από τη συσκευή.

Σημείωση: Λόγω καταλοίπων κατά τη διαδικασία παραγωγής, η συσκευή ενδέχεται να παράγει μια ελαφριά μυρωδιά στους πρώτους κύκλους λειτουργίας της. Αυτό είναι φυσιολογικό και δεν υποδηλώνει βλάβη ή κίνδυνο. Απορρίψτε το νερό από τους πρώτους κύκλους για να απομακρυνθούν τυχόν κατάλοιπα από τη διαδικασία παραγωγής.

GR

Λειτουργία

Λειτουργίες κύριων εξαρτημάτων

Εξάρτημα	Λειτουργία
	<p>Διακόπτης ON/OFF</p> <ul style="list-style-type: none"> - Ενεργοποιήστε ή απενεργοποιήστε τη συσκευή. - Η πράσινη ενδεικτική λυχνία ανάβει όταν η συσκευή είναι ενεργοποιημένη. <p>Σημείωση: Η πράσινη ενδεικτική λυχνία δεν είναι αναμμένη όταν ενεργοποιείται η προστασία εξάτμισης νερού.</p>
Ενδεικτική λυχνία θέρμανσης (2)	<p>Ενδεικτική λυχνία θέρμανσης</p> <ul style="list-style-type: none"> - Η πορτοκαλί ενδεικτική λυχνία ανάβει όταν η λειτουργία θέρμανσης είναι ενεργοποιημένη.
Ενδεικτική λυχνία ΕΠΑΝΑΦΟΡΑΣ (1)	<p>Ενδεικτική λυχνία επαναφοράς</p> <ul style="list-style-type: none"> - Η κόκκινη ενδεικτική λυχνία ανάβει όταν η λειτουργία προστασίας εξάτμισης νερού είναι ενεργοποιημένη.



Παρασκευή καφέ

- Βεβαιωθείτε ότι το στόμιο εκροής είναι κλειστό.
- Γεμίστε το δοχείο με την επιθυμητή ποσότητα κρύου νερού. Ελέγξτε από τον δείκτη στάθμης νερού. Μην χρησιμοποιείτε ζεστό/καυτό νερό.
- Τοποθετήστε τα μέρη του κάδου φίλτρου και τον σωλήνα στο δοχείο. Βεβαιωθείτε ότι έχουν τοποθετηθεί στο κέντρο του δοχείου.
- Προσθέστε τον χοντροκομμένο καφέ ομοιόμορφα στον κάδο φίλτρου. Συνιστούμε να χρησιμοποιείτε 40 γρ. καφέ ανά 1 λίτρο νερού.
- Τοποθετήστε το κάλυμμα παρασκευής καφέ (Δι-ατίθεται μόνο για τα προϊόντα 211342, 211359, 211366) στο καλάθι φίλτρου και κλείστε στο καπάκι.
- Ενεργοποιήστε τη συσκευή, γυρίζοντας τον διακόπτη στη θέση «I». Η πράσινη ενδεικτική λυχνία θα ανάψει.
- Η διαδικασία παρασκευής του καφέ ξεκινά, το νερό ζεσταίνεται και ρέει προς τα πάνω μέσω του σωλήνα.
- Στη συνέχεια, μεταφέρεται κάτω και περνάει από το καλάθι φίλτρου με τον καφέ.
- Ο κύκλος επαναλαμβάνεται σε κάθε παρασκευή καφέ.

Σημείωση:

Ενεργοποίηση/απενεργοποίηση της συσκευής

- Συνδέστε τη συσκευή σε κατάλληλη πρίζα.
- Ενεργοποιήστε τη συσκευή, γυρίζοντας τον διακόπτη στη θέση «I». Η πράσινη ενδεικτική λυχνία ανάβει.

Μετά τη χρήση

- Απενεργοποιήστε τη συσκευή, γυρίζοντας τον διακόπτη στη θέση «0».

Χορήγηση

- Τοποθετήστε ένα κατάλληλο φλιτζάνι κάτω από το στόμιο εκροής.
- Σπρώξτε τον μοχλό του στομίου εκροής προς τα κάτω για να χορηγήσετε την επιθυμητή ποσότητα καφέ.

- Μην γεμίζετε τη συσκευή με νερό πάνω από την ένδειξη στάθμης MAX.
- Συνιστάται να μην λειτουργείτε τη συσκευή όταν η στάθμη νερού στον δείκτη στάθμης είναι πολύ χαμηλή.
- Μην αφήνετε νερό μέσα στη συσκευή για μεγάλο χρονικό διάστημα.
- Να κλείνετε πάντα το καπάκι αφού γεμίσετε, τοποθετήσετε ή αφαιρέσετε τον κάδο φίλτρου και τον σωλήνα.
- Στη συνέχεια, στερεώστε το περιστρέφοντάς το δεξιόστροφα για να ασφαλίσει στη θέση του.
- Αφήστε τη συσκευή να κρυώσει και ξεπλύνετε την καλά πριν ξεκινήσετε άλλο κύκλο παρασκευής.



- Η πορτοκαλί ενδεικτική λυχνία θέρμανσης ανάβει.
- Σημείωση:** Η ενδεικτική λυχνία θέρμανσης θα αναβοσβήσει αυτόματα υποδεικνύοντας ότι εκτελείται η λειτουργία θέρμανσης.

- Όταν εξέλθει η επιθυμητή ποσότητα υγρού, απελευθερώστε τον μοχλό.

Σημείωση: Το φλιτζάνι με τον καφέ θα είναι πολύ καυτό. Προσέχετε.

Καθαρισμός και Συντήρηση

Προσοχή: Να αποσυνδέετε πάντα τη συσκευή από την πρίζα και να την αφήνετε να κρυώνει τελείως πριν την καθαρίσετε και την αποθηκεύσετε.

Καθαρισμός

- Καθαρίζετε καλά τη συσκευή πριν και μετά από κάθε χρήση.
- Μην βυθίζετε ποτέ τη συσκευή σε νερό ή άλλα υγρά.
- Μην καθαρίζετε τη συσκευή με εκτοξευτήρα νερού.
- Ξεπλύνετε προσεκτικά το στόμιο εκροής και τον δείκτη στάθμης νερού.
- Καθαρίστε το καλάθι φίλτρου, τον σωλήνα καφετιέρας, το καπάκι και το κάλυμμα παρασκευής καφέ με ζεστό νερό και εμπορικά διαθέσιμα ήπια καθαριστικά μέσα για επαγγελματικές καφετιέρες. Ακολουθήστε τις οδηγίες του κατασκευαστή.
- Όλα τα μέρη της συσκευής πρέπει να ξεπλένονται με καθαρό νερό για να αφαιρούνται τυχόν υπολείμ-

ματα σαπουνιού.

- Το δοχείο πρέπει να διατηρείται απαλλαγμένο από αποθέσεις και κατάλοιπα καφέ. Το εσωτερικό του καθαρίζεται εύκολα με τη χρήση ήπιου καθαριστικού μέσου και ενός νωπού πανιού.
- Μην χρησιμοποιείτε τριπτικό σφουγγάρι ή απορρυπαντικά, σύρματα ή μεταλλικά μέσα για τον καθαρισμό των εσωτερικών ή εξωτερικών μερών της συσκευής.
- Σκουπίστε την εξωτερική επιφάνεια της καφετιέρας με ένα μαλακό, υγρό πανί.
- Τέλος, στεγνώστε όλα τα μέρη και τις επιφάνειες με ένα μαλακό πανί.

Αφαίρεση αλάτων

- Αφαιρείτε τακτικά τα άλατα από την συσκευή ανάλογα με τη σκληρότητα του νερού και τη συχνότητα χρήσης. Να χρησιμοποιείτε μόνο εμπορικά διαθέσιμα μέσα αφαίρεσης αλάτων και να ακολουθείτε τις οδηγίες του κατασκευαστή.
 - Γεμίστε το δοχείο με νερό και κατάλληλη ποσότητα μέσου αφαίρεσης αλάτων μέχρι το επίπεδο MAX.

- Εκκινήστε το βράσιμο του διαλύματος.

- Στη συνέχεια, απορρίψτε το διάλυμα

- Ξεπλύνετε το δοχείο και προχωρήστε σε βράσιμο νερού δύο φορές για να αφαιρέσετε τυχόν υπολείμματα.
- Τέλος, στεγνώστε όλα τα μέρη και τις επιφάνειες με ένα μαλακό πανί.

Αποθήκευση

- Πριν αποθηκεύσετε την συσκευή, βεβαιωθείτε ότι έχει αποσυνδεθεί από την πρίζα και έχει κρυώσει πλήρως.

- Φυλάσσετε τη συσκευή σε δροσερό, καθαρό και στεγνό χώρο.

Αντιμετώπιση προβλημάτων

Αν η συσκευή δεν λειτουργεί σωστά, συμβουλευτείτε τον παρακάτω πίνακα για πιθανές λύσεις. Αν συνεχίσετε να μην μπορείτε να επιλύσετε το πρόβλημα, επικοινωνήστε με τον προμηθευτή/πάροχο σέρβις.

Προβλήματα	Πιθανές αιτίες	Πιθανές λύσεις
Η συσκευή είναι συνδεδεμένη σε παροχή ρεύματος, αλλά η ενδεικτική λυχνία θέρμανσης δεν ανάβει.	Το φις δεν είναι συνδεδεμένο σωστά στην παροχή ρεύματος.	Ελέγξτε ξανά για να βεβαιωθείτε ότι είναι συνδεδεμένο σωστά.
	Η ενδεικτική λυχνία θέρμανσης είναι ελαττωματική.	Επικοινωνήστε με τον προμηθευτή σας.
	Ενεργοποιείται η διάταξη περιορισμού (θερμική διακοπή).	Αποσυνδέστε τη συσκευή από την πρίζα και αφήστε την να κρυώσει τελείως. Στη συνέχεια, ξεκινήστε πάλι τη λειτουργία.
Η συσκευή δεν θερμαίνεται, αλλά η ενδεικτική λυχνία θέρμανσης ανάβει.	Το στοιχείο θέρμανσης είναι ελαττωματικό.	Επικοινωνήστε με τον προμηθευτή σας.



Τεχνικές προδιαγραφές

Βραστήρες μονού τοιχώματος (Δεν παρέχεται δίσκος αποστράγγισης και κάλυμμα παρασκευής καφέ)

Αρ. προϊόντος	211311	211328	211335
Τάση και συχνότητα λειτουργίας	220-240V~ 50 / 60 Hz		
Ονομαστική ισχύς εισόδου	950W	1,650W	1,650W
Χωρητικότητα	8L ± 0.5L	12L ± 1L	16L ± 1L
Κατηγορία προστασίας	Κατηγορία I		
Χρόνος για την παρασκευή καφέ	32 ± 5 λεπτά	35 ± 5 λεπτά	40 ± 5 λεπτά

Βραστήρες διπλού τοιχώματος (Παρέχεται δίσκος αποστράγγισης και κάλυμμα παρασκευής καφέ)

Αρ. προϊόντος	211342	211359	211366
Τάση και συχνότητα λειτουργίας	220-240V~ 50 / 60 Hz		
Ονομαστική ισχύς εισόδου	950W	950W	1,650W
Χωρητικότητα	6L ± 1.5L	12L ± 2L	16L ± 2L
Κατηγορία προστασίας	Κατηγορία I		
Χρόνος για την παρασκευή καφέ	26 ± 5 λεπτά	32 ± 5 λεπτά	37 ± 5 λεπτά

Σημείωση: Οι τεχνικές προδιαγραφές μπορούν να τροποποιηθούν χωρίς προηγούμενη ειδοποίηση.

GR

Εγγύηση

Οποιοδήποτε ελάττωμα επηρεάζει τη λειτουργικότητα της συσκευής που γίνεται προφανές ένα χρόνο μετά την αγορά της, θα διορθώνεται με δωρεάν επισκευή ή αντικατάσταση, αρκεί η συσκευή να έχει χρησιμοποιηθεί και συντηρηθεί σύμφωνα με τις οδηγίες και να μην έχει γίνει κατάχρηση ή λανθασμένη χρήση της με οποιονδήποτε τρόπο. Δε θίγονται τα νόμιμα δικαιώματά σας. Εάν η συσκευή υποστηρίζεται

από εγγύηση, δηλώστε πού και πότε έχει αγοραστεί και συμπεριλάβετε την απόδειξη αγοράς (π.χ. απόδειξη λιανικής πώλησης).

Σύμφωνα με την πολιτική μας για τη συνεχή εξέλιξη των προϊόντων μας, διατηρούμε το δικαίωμα να αλλάξουμε το προϊόν, τη συσκευασία και τις προδιαγραφές τεκμηρίωσής του χωρίς προειδοποίηση.

Απόρριψη & Περιβάλλον

Στο τέλος της διάρκειας ζωής της συσκευής, απορρίψτε τη συσκευή σύμφωνα με τους κανονισμούς και τις κατευθυντήριες γραμμές που ισχύουν τη συγκεκρι-

μενη χρονική στιγμή.

Πετάξτε τα υλικά συσκευασίας, όπως το πλαστικό και τα κουτιά, στα κατάλληλα σημεία απόρριψης.

ΣΕΡΒΙΣ ΕΛΛΑΔΟΣ:

Serviceworld

τηλ.: 210.6203.838 (10 γραμμές)

info@serviceworld.gr

www.serviceworld.gr





Hendi B.V.

Steenoven 21
3911 TX Rhenen, The Netherlands
Tel: +31 (0)317 681 040
Email: info@hendi.eu

Hendi Polska Sp. z o.o.

ul. Magazynowa 5
62-023 Gądkki, Poland
Tel: +48 61 6587000
Email: info@hendi.pl

Hendi Food Service Equipment GmbH

Gewerbegebiet Ehring 15
5112 Lamprechtshausen, Austria
Tel: +43 (0) 6274 200 10 0
Email: office.austria@hendi.eu

Hendi UK Ltd.

Central Barn, Hornby Road
Lancaster, LA2 9JX, United Kingdom
Tel: +44 (0)333 0143200
Email: sales@hendi.co.uk

Hendi Food Service Equipment Romania Srl

Str. 13 decembrie 94A, Hala 14
Braşov, 500164, Romania
Tel: +40 268 320330
Email: office@hendi.ro

PKS Hendi Hellas SA

5 Metsovou Str.
18346 Moschato, Athens, Greece
Tel: +30 210 4839700
Fax: +30 210 4839710

Hendi HK Ltd.

1208, 12/F Exchange Tower
33 Wang Chiu Road, Kowloon Bay, Hong Kong
Tel: +852 2154 2618
Email: info-hk@hendi.eu

Find Hendi on internet:

www.hendi.eu
www.facebook.com/HendiFoodServiceEquipment
www.linkedin.com/company/hendi-food-service-equipment-b.v.
www.youtube.com/HendiEquipment

- Changes, printing and typesetting errors reserved.
- Änderungen und Druckfehler vorbehalten.
- Wijzigingen en drukfouten voorbehouden.
- Producent zastrzega sobie prawo do zmian oraz błędów drukarskich w instrukcji.
- Variations et fautes d'impression réservés.

- Errori di cambiamenti, di stampa e di impaginazione riservati.
- Drepturi rezervate cu privire la modificări și greșeli de imprimare.
- Изменения, печати и верстки ошибки защищены.
- Με επιφύλαξη αλλαγών, λαθών εκτύπωσης και στοιχειοθεσίας.