
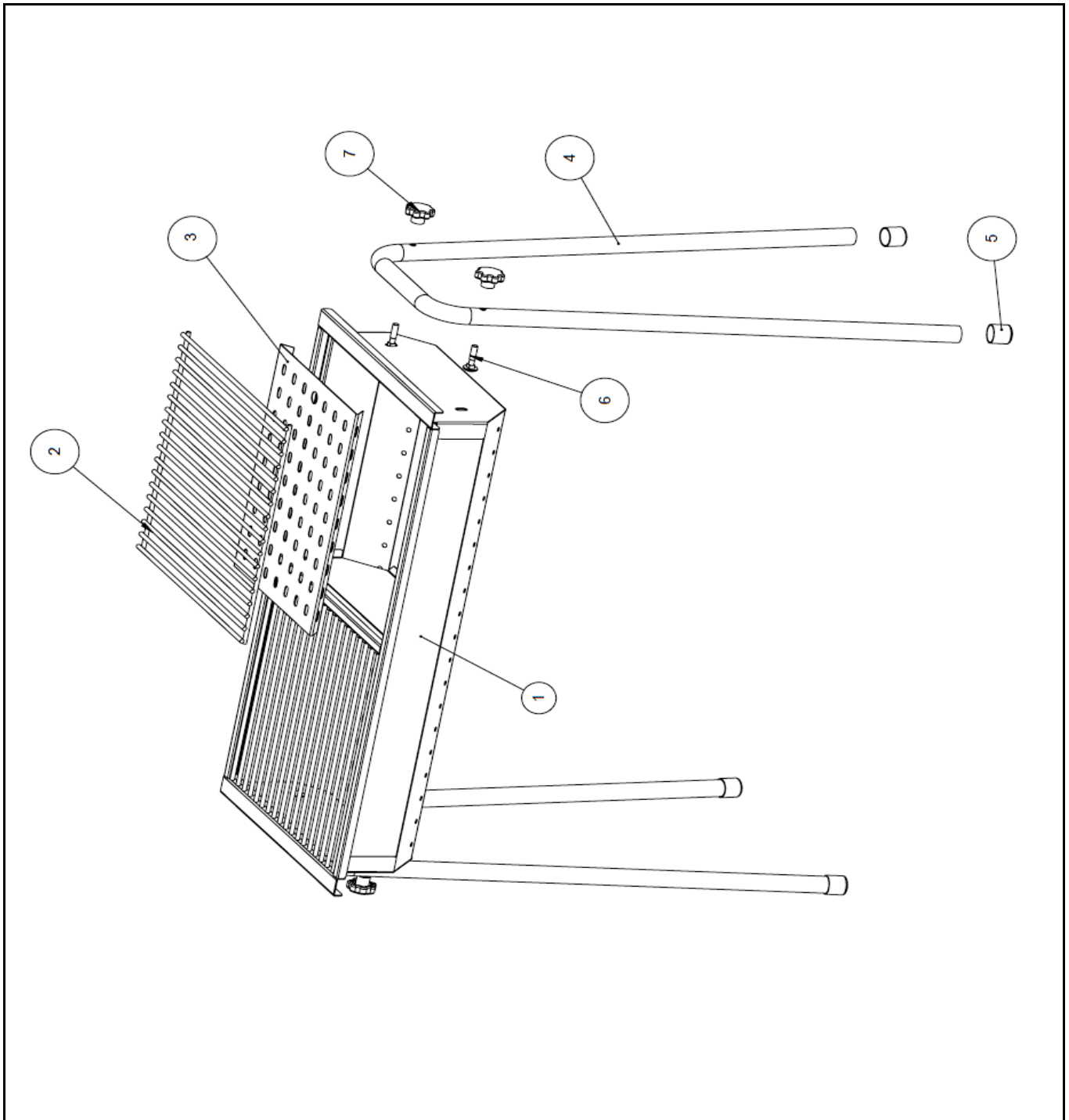



Drawing

 HENDI FOOD SERVICE EQUIPMENT Hendi B.V. Steenoven 21 3911 TX Rhenen The Netherlands	Batch #	Appliance part#
	300205 and up	150603
	Description	
	Charcoal Barbecue "Patio"	

Date	03-06-2015	Revision #	Revision version 1,1
Revision	New design		



Bill of materials (BOM)

 HENDI FOOD SERVICE EQUIPMENT Hendi B.V. Steenoven 21 3911 TX Rhenen The Netherlands	Batch #	Appliance part#
	300205 and up	150603
	Description	
Charcoal Barbecue "Patio"		

Date	03-06-2015	Revision #	Revision version 1,1
Revision	New design		

Item	Description	Part#	Quantity	Remark	Picture
1	Frame	n/a	1		
2	Cooking grid	151617	2		
3	Charcoal grid	930236	2		
4	Leg	930243	2		
5	Plastic cap 25mm	930250	4		
6	Bolt M8x35	934647	4		
7	Star knob	930267	4		

n/a -> not available

nss -> not sold separately