

BIN T420



BIN - Storage Capacity up to 200 kg

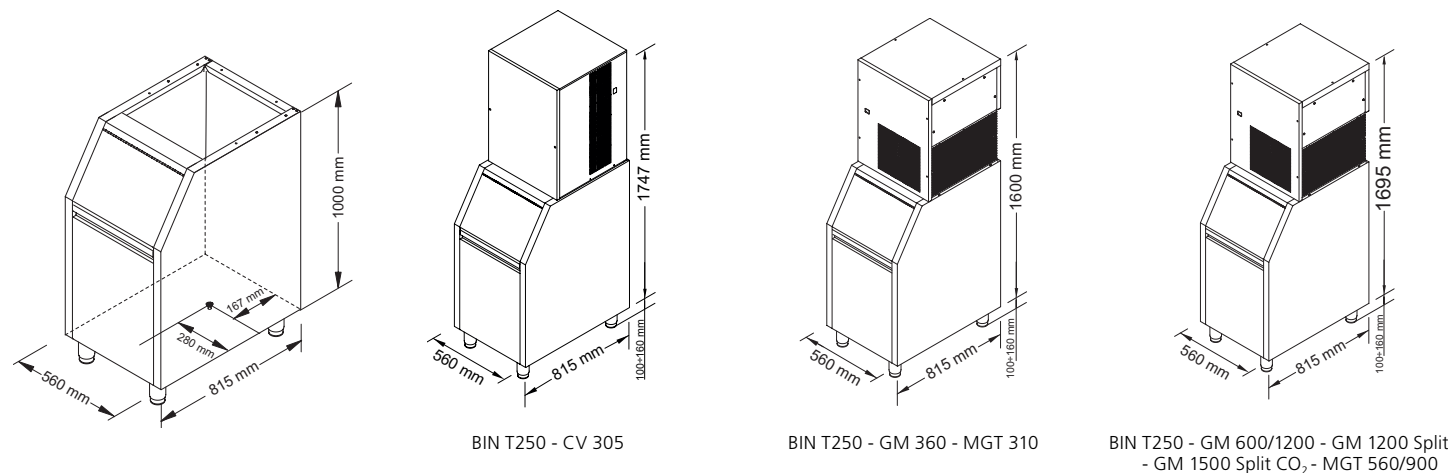
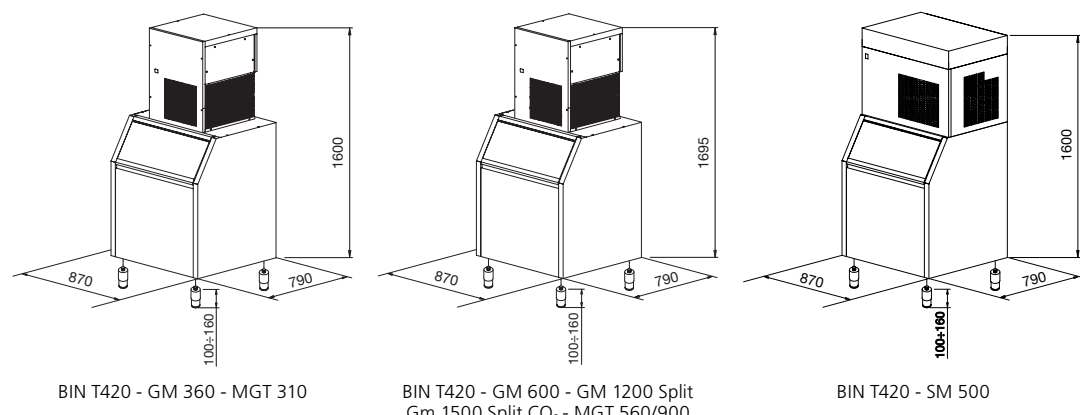
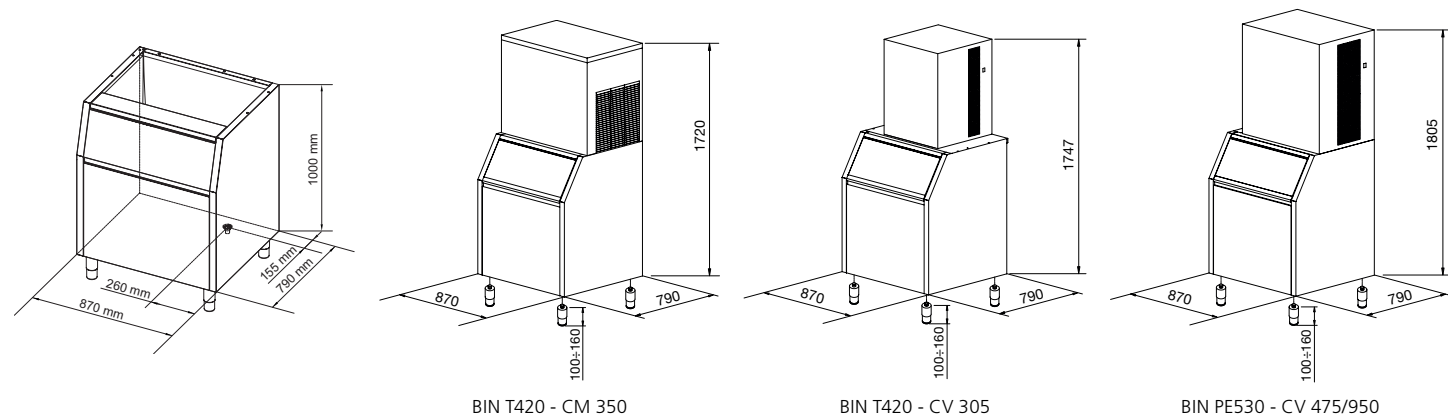
• Technical information

Store capacity, up to	200 kg
Sizes (L-P-H mm) *	870 - 790 - 1000
Sizes with pack (L-P-H mm)	920 - 840 - 1210
Net weight	74 kg
Gross weight	93 kg
Finish	AISI 304 stainless steel, scotch brite

• Usable with

- CM 350
- CV 305-475-950
- GM 1500 Split CO₂
- MGT 310-560-900
- SM 500
- GM 1200 Split

* Adjustable foot 100-160 mm



DRB 2500



BIN - Storage Capacity up to 1216 kg

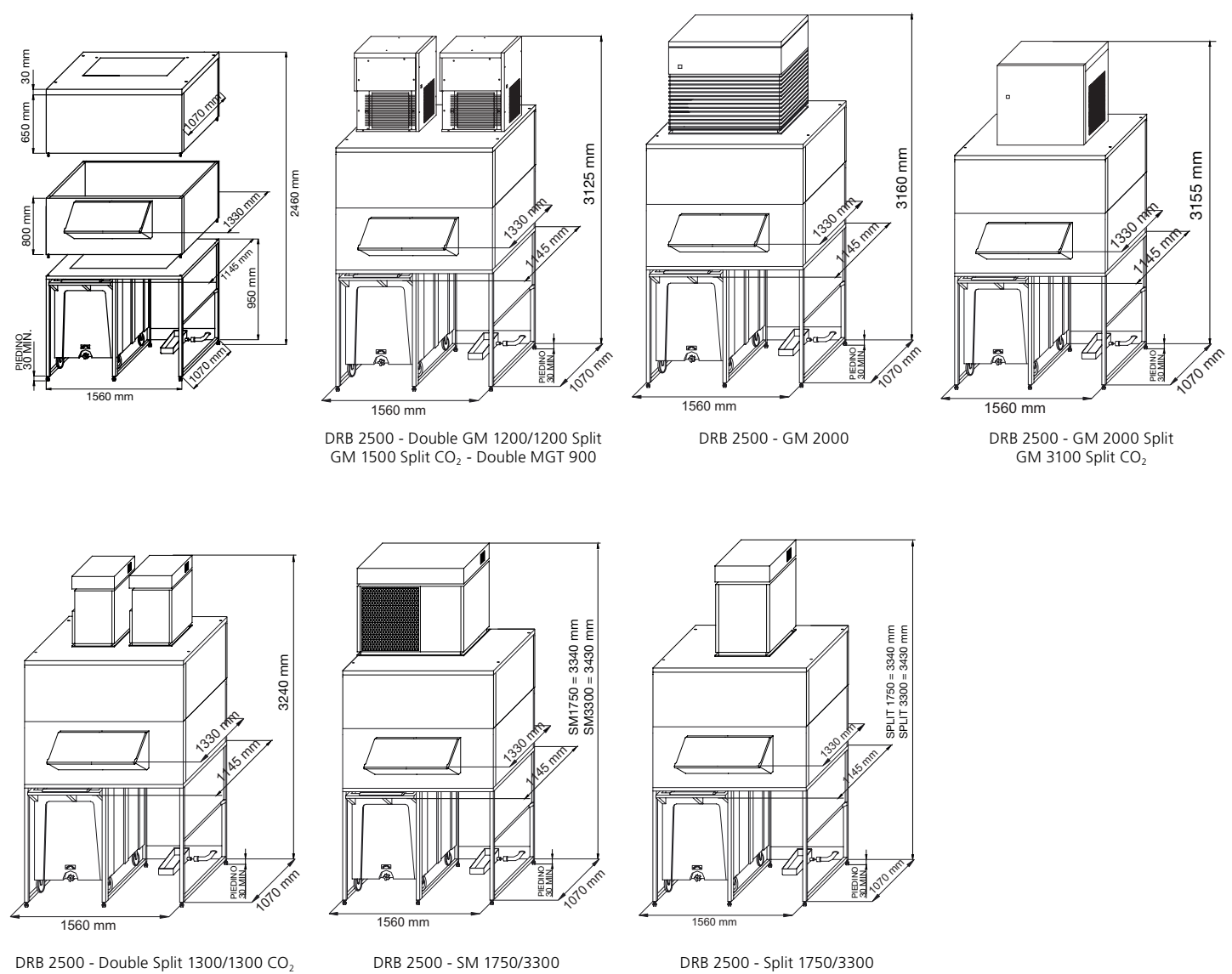
• Technical information

Store capacity, up to	108 kg x 2
Bay store capacity	1000 kg
Sizes (L-P-H mm)	1560 - 1330 - 2460
Sizes with pack (L-P-H mm)	1630 - 1200 - 1145 (x3)
Net weight	251 kg
Gross weight	404 kg
Finish	AISI 304 stainless steel, scotch brite

• Usable with

- GM 1200 °°
- GM 1200 Split °°
- GM 1500 Split CO₂ °°
- GM 2000
- GM 2000 Split
- GM 3100 Split CO₂
- MGT 900 °°
- SM 1300-1750-3300
- Split 1300 °° -1750-3300
- Split 1300 °° -2200-3300 CO₂

** Double application of the ice maker



Released on: January 2017

Models and specifications are subject to change without notice



N.T.F. S.r.l. Nuove Tecnologie del Freddo
Via dell'Industria 10/B
20020 Villa Cortese (MI), Italy

tel. +39 0331 436217
fax +39 0331 436218

www.ntfce.it
info@ntfce.it



STORAGE BIN

BIN PE530



BIN - Storage Capacity up to 190 kg

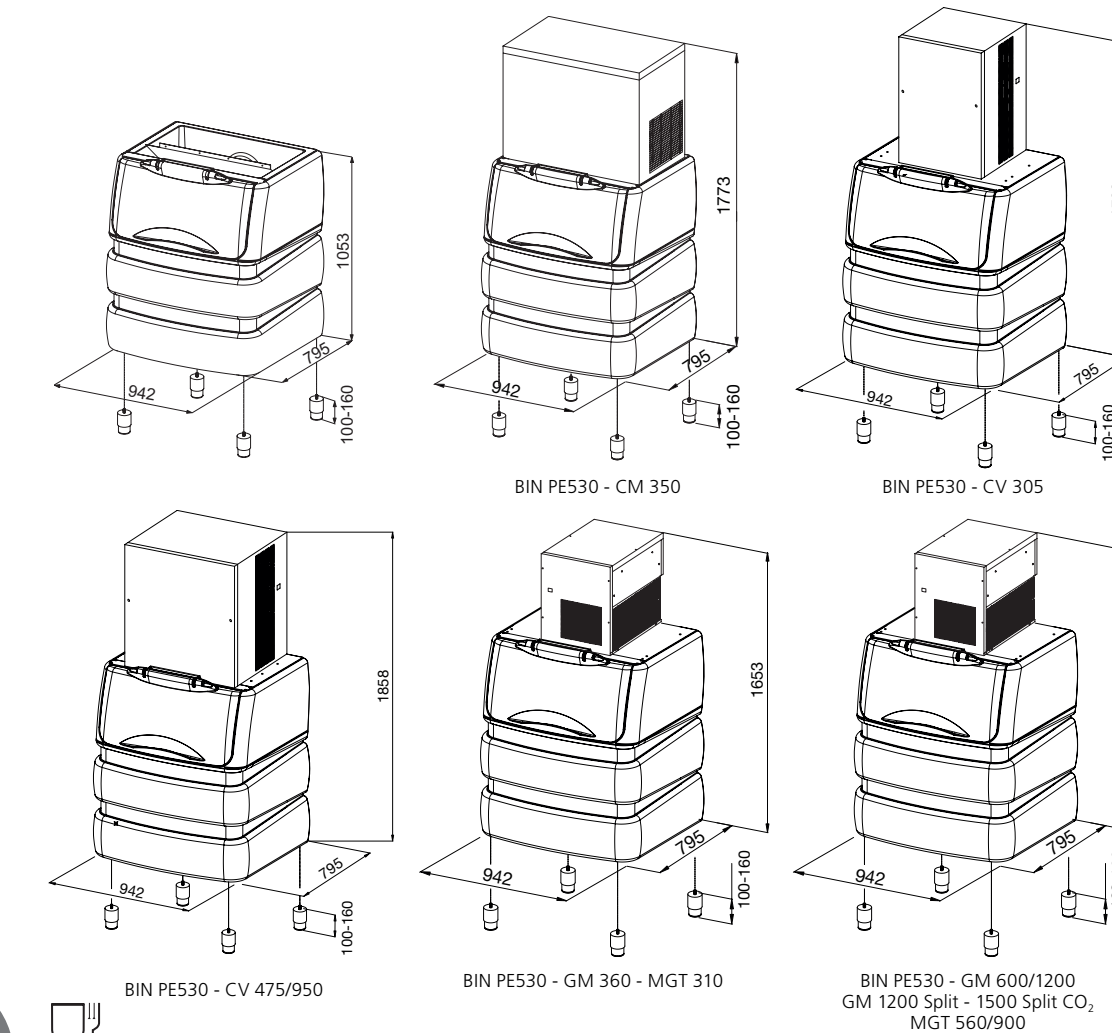
• Technical information

Store capacity, up to	190 kg
Sizes (L-P-H mm) *	942 - 795 - 1053
Sizes with pack (L-P-H mm)	1035 - 885 - 1275
Net weight	61 kg
Gross weight	92 kg
Finish	Polyethylene

• Usable with

- CM 350
- CV 305-475-950
- GM 1200 Split
- GM 1500 Split CO₂
- MGT 310-560-900
- GM 360-600-1200

* Adjustable foot 100-160 mm



BIN T250



BIN - Storage Capacity up to 100 kg

• Technical information

Store capacity, up to	100 kg
Sizes (L-P-H mm) *	560 - 815 - 1000
Sizes with pack (L-P-H mm)	620 - 880 - 1175
Net weight	53 kg
Gross weight	65 kg
Finish	AISI 304 stainless steel, scotch brite

• Usable with

- CV 305
- GM 1500 Split CO₂
- GM 360-600-1200
- MGT 310-560-900
- GM 1200 Split

* Adjustable foot 100-160 mm

BIN T830



BIN - Storage Capacity up to 350 kg

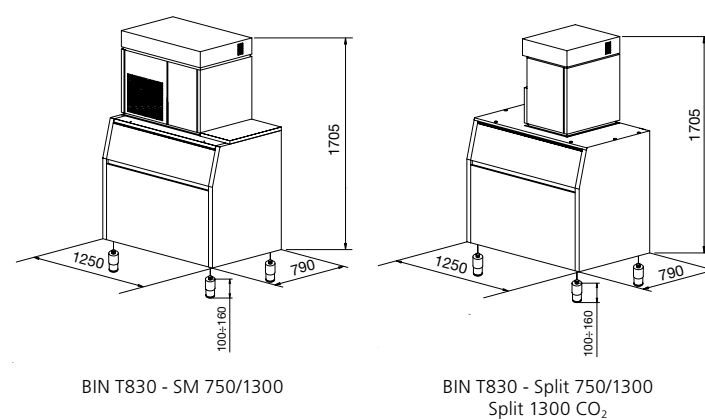
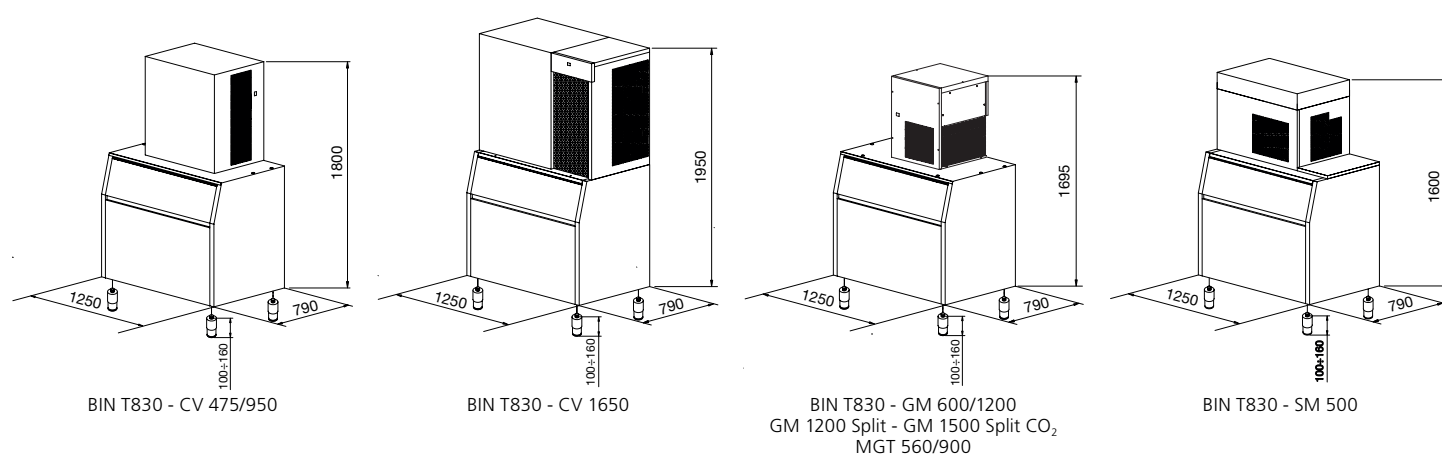
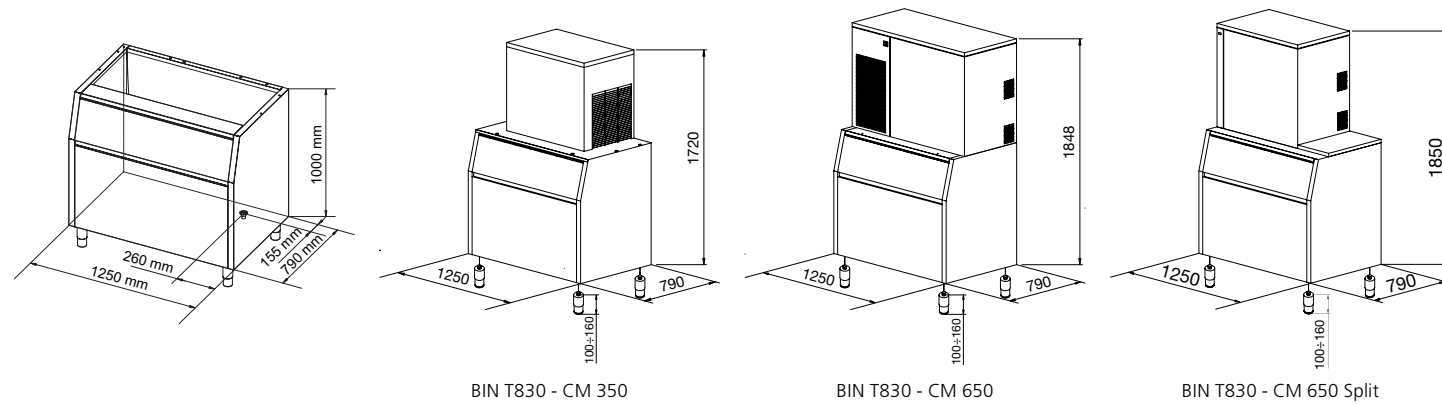
• Technical information

Store capacity, up to	350 kg
Sizes (L-P-H mm) *	1250 - 790 - 1000
Sizes with pack (L-P-H mm)	1300 - 850 - 1180
Net weight	105 kg
Gross weight	126 kg
Finish	AISI 304 stainless steel, scotch brite

• Usable with

- CM 350-650
- CM 650 Split
- CV 475-950-1650
- GM 600-1200
- GM 1200 Split
- GM 1500 Split CO₂
- MGT 560-900
- SM 500-750-1300
- Split 750-1300
- Split 1300 CO₂

* Adjustable foot 100-160 mm



BIN 1200 DD



BIN - Storage Capacity up to 550 kg

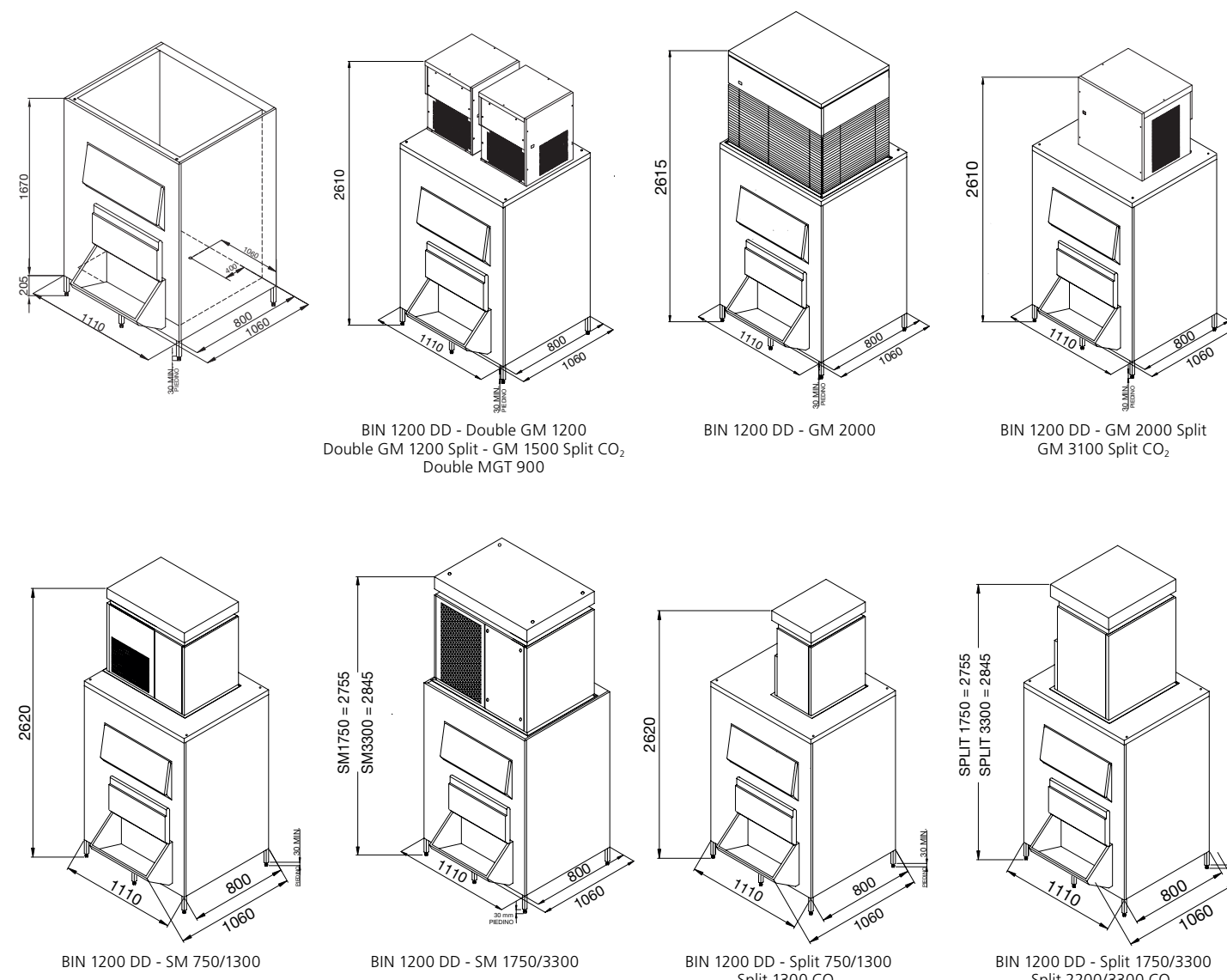
• Technical information

Store capacity, up to	550 kg
Sizes (L-P-H mm)	1110 - 1060 - 1915
Sizes with pack (L-P-H mm)	1280 - 1235 - 1960
Net weight	163 kg
Gross weight	177 kg
Finish	AISI 304 stainless steel, scotch brite

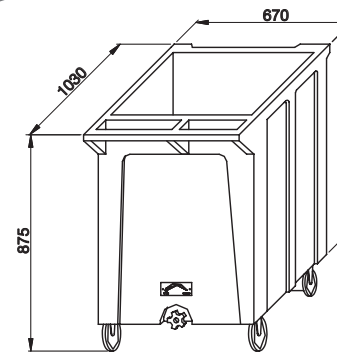
• Usable with

- GM 1200 °°
- GM 1200 Split °°
- GM 1500 Split CO₂
- GM 2000
- GM 2000 Split
- GM 3100 Split CO₂
- MGT 900 °°
- SM 750-1300-1750-3300
- Split 750-1300-1750-3300
- Split 1300-2200-3300 CO₂

** Double application of the ice maker



CARRELLO TROLLEY



RB 140

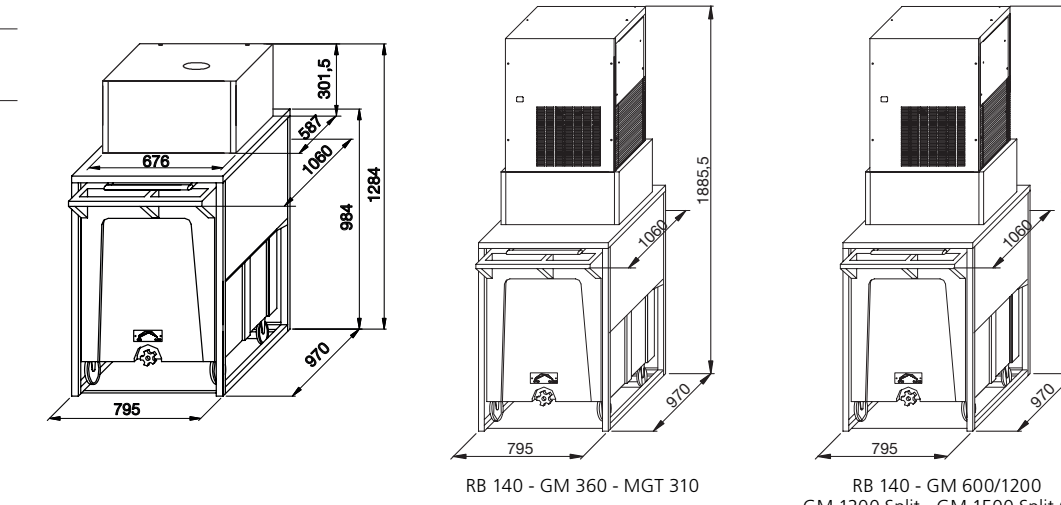
BIN - Storage Capacity up to 125 kg

• Technical information

Store capacity, up to	108 kg
Bay store capacity	17 kg
Sizes (L-P-H mm)	795 - 1060 - 1284
Sizes with pack (L-P-H mm)	860 - 1125 - 1145
Net weight	64 kg
Gross weight	80 kg
Finish	AISI 304 stainless steel, scotch brite

• Usable with

- GM 360-600-1200
- GM 1200 Split
- GM 1500 Split CO₂
- MGT 310-560-900



RB 280

BIN - Storage Capacity up to 266 kg

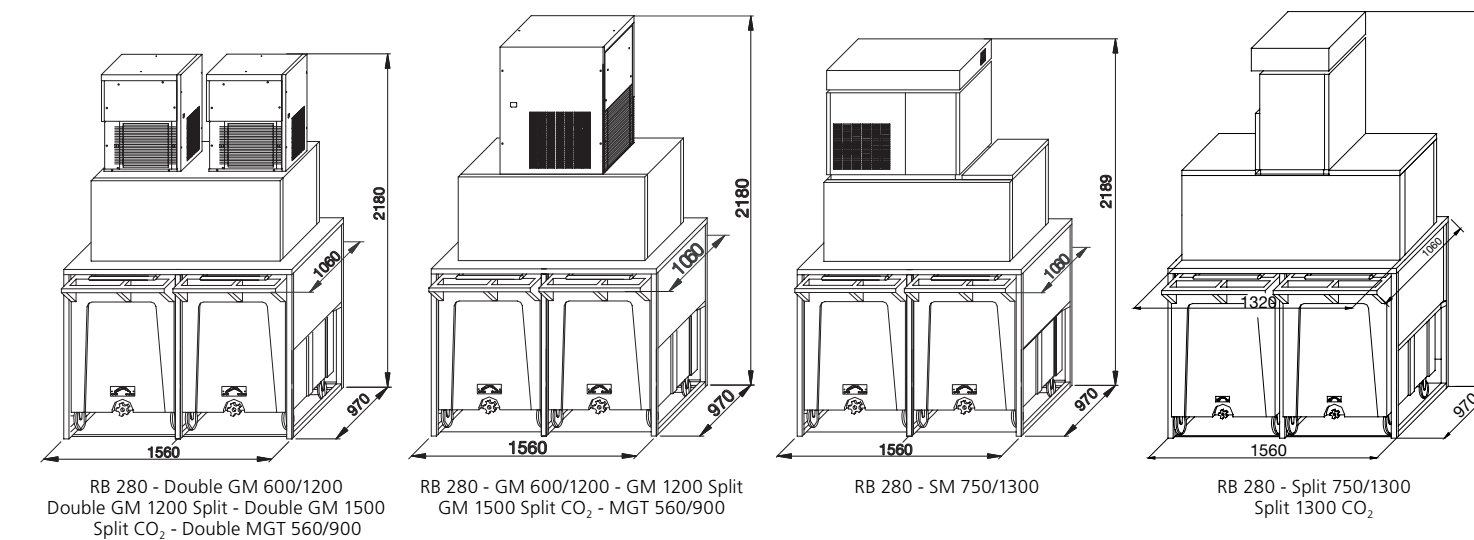
• Technical information

Store capacity, up to	108 kg x 2
Bay store capacity	50 kg
Sizes (L-P-H mm)	1560 - 1060 - 1484
Sizes with pack (L-P-H mm)	1625 - 1125 - 1655
Net weight	135 kg
Gross weight	170 kg
Finish	AISI 304 stainless steel, scotch brite

• Usable with

- CV 475-950
- GM 600-1200 °°
- GM 1200 Split °°
- GM 1500 Split CO₂ °°
- MGT 560-900 °°
- SM 750-1300
- Split 750-1300
- Split 1300 CO₂

* Single or double application of the ice maker



DRB 1100

BIN - Storage Capacity up to 516 kg

• Technical information

Store capacity, up to	108 kg x 2
Bay store capacity	300 kg
Sizes (L-P-H mm)	1560 - 1330 - 1780
Sizes with pack (L-P-H mm)	1630 - 1200 - 1145 (x2)
Net weight	204 kg
Gross weight	307 kg
Finish	AISI 304 stainless steel, scotch brite

• Usable with

- GM 1200 °°
- GM 1200 Split °°
- GM 1500 Split CO₂ °°
- GM 2000
- GM 2000 Split
- GM 3100 Split CO₂
- MGT 900 °°
- SM 1300-1750-3300
- Split 1300-1750-3300
- Split 1300-2200-3300 CO₂

** Double application of the ice maker

