



Modular ice maker - Granular system
Daily production up to 300 kg

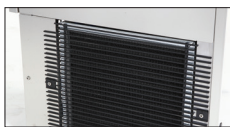
| | |
|---------------|------------|
| Hotel | ██████████ |
| Restaurant | ██████████ |
| Fast food | ██████████ |
| Bar | ██████████ |
| Disco | ██████████ |
| Fish market | ██████████ |
| Supermarket | ██████████ |
| Medical & SPA | ██████████ |
| Industry | ██████████ |

► Position n°



► Features & Plus

- Granular ice - 80-82% dry
- 1l (water) - 1kg (ice) - only Air cooled
- AISI 304 SS Scotch Brite finish
- Tropical class +43°C
- Specific volume 1 m³ = 550 kg of ice
- Removable and cleanable air filter
- AISI 304 SS evaporator
- Air or water cooling system
- Easy cleanable internal rounded surfaces
- Dust-proof water basin
- RoHS Free
- Electromechanical operation
- ON-OFF rocker switch
- Rotation sensor on low speed shaft
- Automatic water charge
- Standard and special voltages
- Frame in INOX
- HFC Free



Removable and cleanable air filter



AISI 304 SS evaporator



Dust-proof water basin



Easy cleanable internal rounded surfaces



Frame in INOX

► Usable Bins

- Bin 240PE
- Bin 110
- Bin 200
- Bin 350
- Roller Bin 100
- Double Roller Bin 100

► Prod. 24h

| 🌡️ | Air temp. | | Water temp. | | Kg | Lbs |
|----|-----------|-------|-------------|-------|-----|-----|
| | 10° C | 50° F | 7° C | 45° F | | |
| | 21° C | 70° F | 15° C | 60° F | | |
| | | | | | 300 | 661 |
| | | | | | 280 | 617 |

2 Years Warranty
subject to limitations

► Certifications available for this model



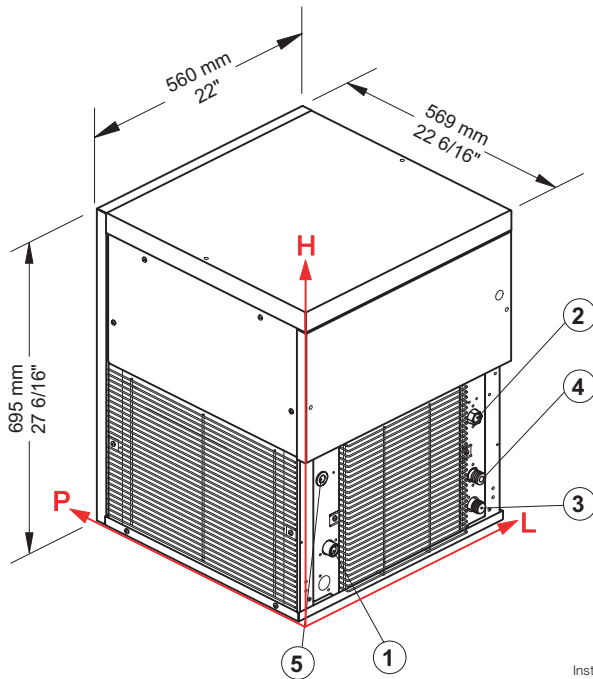


Ice Flakes

G 280 HC



Modular ice maker - Granular system Daily production up to 300 kg



Installation



► Working conditions

- Location: **Indoor**

| | Min | Max |
|----------------------|-----------------|-----------------|
| Ambient temperature | +10° C / +50° F | +43° C / 110° F |
| Water temperature | +3° C / +37° F | +32° C / +90° F |
| Voltage | -10% | +10% |
| Water inlet pressure | 1bar (14 psi) | 6bar (84 psi) |

► Performances

| Air temperature | 7° C | 45° F | 15° C | 60° F | 21° C | 70° F | 300 kg |
|-----------------|------|---------|--------|---------|--------|---------|--------|
| | | | | | | | |
| 10° C | | | | | | | |
| 50° F | | 661 lbs | | | | | |
| 21° C | | | 280 kg | | | | |
| 70° F | | | | 617 lbs | | | |
| 32° C | | | | | 230 kg | | |
| 90° F | | | | | | 507 lbs | |

► Connections

All measures are referred to the down-left corner (L-H-Ø)

- ① Water in.: 85,5 mm / 3 6/16" - 130 mm / 5 2/16" - 3/4"
- ② Cond. water in.: 479,5 mm / 18 14/16" - 260 mm / 10 4/16" - 3/4"
- ③ Water out.: 479,5 mm / 18 14/16" - 65 mm / 2 9/16" - 24 mm / 15/16"
- ④ Cond. water out.: 479,5 mm / 18 14/16" - 130 mm / 5 2/16" - 24 mm / 15/16"
- ⑤ Electrical connections: 67,5 mm / 2 11/16" - 290 mm / 11 7/16"
- ② ④ Only for water cooling systems

► Technical information

| | | | |
|---------------------------|--|----------------------------|------------------------------|
| Production in 24h | 280 kg / 617 lbs | Water consumption | A: 1 l/kg - 12,0 gal/100 lbs |
| Cooling system | A - W | | W: 6 l/kg - 72 gal/100 lbs |
| Refrigerant | R290 | Sizes (L-P-H mm) | 560 - 569 - 695 |
| Standard voltage | 220-240 V ~ 50 Hz | (L-P-H in) | 22 - 22 6/16 - 27 6/16 |
| Average power consumption | 1100 W | Sizes with pack (L-P-H mm) | 645 - 645 - 910 |
| Fuse | 10 A | (L-P-H in) | 25 6/16 - 25 6/16 - 35 13/16 |
| Electrical consumption | 11 kWh/100kg | Net weight | 83 kg / 183 lbs |
| Finish | AISI 304 stainless steel, scotch brite | Gross weight | 93 kg / 205 lbs |

All the technical information need to be considered at the following conditions:
 Ambient temperature +21° C
 Water temperature +15° C
 Electrical consumption at +32° C (standard voltage)
 Average power consumption at +43° C (standard voltage)

Models and specifications are subject to change without notice

Rev. 04 - Issued September 2019



www.bremaice.it
info@bremaice.it

Bim + Data download

