



Self-contained ice maker - Granular system
Daily production up to 180 kg

Hotel	██████████
Restaurant	██████████
Fast food	██████████
Bar	██████████
Disco	██████████
Fish market	██████████
Supermarket	██████████
Medical & SPA	██████████
Industry	██████████

► Position n°



► Features & Plus

- Granular ice - 80-82% dry
- 1l (water) - 1kg (ice) - only Air cooled
- AISI 304 SS Scotch Brite finish
- Tropical class +43°C
- Adjustable Stainless Steel feet
- Removable and cleanable air filter
- AISI 304 SS evaporator
- Air or water cooling system
- Easy cleanable internal rounded surfaces
- HCFC-Free insulated storage
- Dust-proof water basin
- RoHS Free
- Disappearing insulated door
- Electromechanical operation
- ON-OFF rocker switch
- Automatic water charge
- Standard and special voltages



AISI 304 SS Scotch Brite finish



Removable and cleanable air filter



AISI 304 SS evaporator



Dust-proof water basin



Disappearing insulated door

► Prod. 24h

°C	Air temp.		Water temp.		Kg	Lbs
	10° C	50° F	7° C	45° F		
•	10° C	50° F	7° C	45° F	180	397
•	21° C	70° F	15° C	60° F	155	342

2 Years Warranty
subject to limitations

► Certifications available for this model

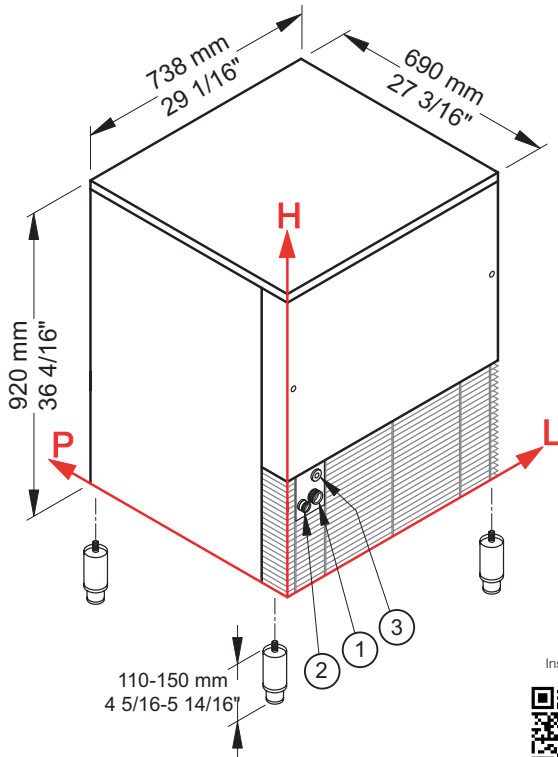




Ice Flakes

GB 1540

Self-contained ice maker - Granular system
Daily production up to 180 kg

**► Working conditions**

- Location: **Indoor**

	Min	Max
Ambient temperature	+10° C / +50° F	+43° C / 110° F
Water temperature	+3° C / +37° F	+32° C / +90° F
Voltage	-10%	+10%
Water inlet pressure	1bar (14 psi)	6bar (84 psi)

► Performances

	Air temperature	Water temperature	Water temperature					
			7° C	45° F	15° C	60° F	21° C	70° F
	10° C	180 kg						
	50° F		397 lbs					
	21° C			155 kg				
	70° F				342 lbs			
	32° C					140 kg		
	90° F						309 lbs	

► Connections

All measures are referred to the rear bottom-left corner (L-H-Ø)

- ① Water in.: 104 mm / 4 2/16" - 247 mm / 9 12/16" - 3/4" ② Water out.: 53 mm / 2 1/16" - 240 mm / 9 7/16" - 24 mm / 15/16"
 ③ Electrical connections: 92 mm / 3 0/16" - 319 mm / 12 9/16"

► Technical information

Production in 24h	155 kg / 342 lbs
Store capacity, up to	40 kg / 88 lbs
Cooling system	A - W
Refrigerant	R404A - R452A
Standard voltage	220-240 V ~ 50 Hz
Average power consumption	650 W
Fuse	10 A
Finish	AISI 304 stainless steel, scotch brite

Water consumption	A: 1 l/kg - 12,0 gal/100 lbs
	W: 6,4 l/kg - 76,7 gal/100 lbs
Sizes (L-P-H mm)	738 - 690 - 920
(L-P-H in)	29 1/16 - 27 3/16 - 36 4/16
Sizes with pack (L-P-H mm)	780 - 735 - 1085
(L-P-H in)	30 11/16 - 28 15/16 - 42 11/16
Net weight	85 kg / 187 lbs
Gross weight	95 kg / 209 lbs

All the technical information need to be considered at the following conditions:
 Sizes without feet
 Ambient temperature +21° C
 Water temperature +15° C
 Average power consumption at +43° C (standard voltage)

Models and specifications are subject to change without notice

Rev. 04 - Issued September 2019



www.bremaice.it
info@bremaice.it

