



Self-contained ice maker - Paddle system Daily production up to 60 kg

Hotel	████████████████████
Restaurant	████████████████████
Fast food	████████████████████
Bar	████████████████████
Disco	████████████████████
Fish market	████████████████████
Supermarket	████████████████████
Medical & SPA	████████████████████
Industry	████████████████████

► Position n°



► Features & Plus

- Hollow cube
- AISI 304 SS Scotch Brite finish
- Tropical class +43°C
- Adjustable Stainless Steel feet
- Removable and cleanable air filter
- Air or water cooling system
- Easy cleanable internal rounded surfaces
- HCFC-Free insulated storage
- FDA approved -ABS water basin
- Basin tipping safety system
- RoHS Free
- Disappearing insulated door
- Electromechanical operation
- ON-OFF rocker switch
- Automatic water charge
- Standard and special voltages



AISI 304 SS Scotch Brite finish



Removable and cleanable air filter

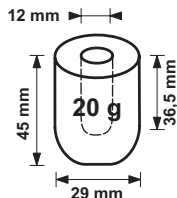


FDA approved - ABS water basin



Disappearing insulated door

► Available ice cube size



► Prod. 24h

Air temp.	Water temp.		kg	lbs
	10° C	50° F		
10° C	50° F	7° C	60	132
21° C	70° F	15° C	50	110

2 Years Warranty
subject to limitations

► Certifications available for this model

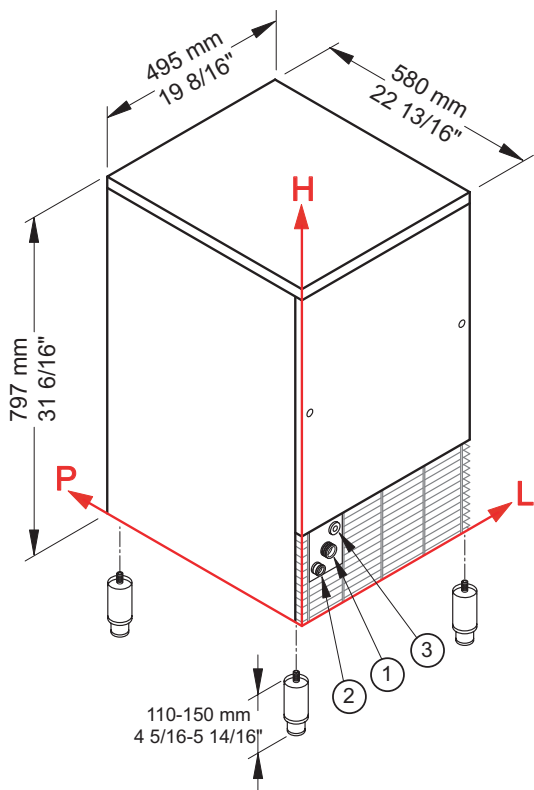




Ice Finger

IMF 58

Self-contained ice maker - Paddle system
Daily production up to 60 kg



► **Working conditions**

- Location: **Indoor**

	Min	Max
Ambient temperature	+10° C / +50° F	+43° C / 110° F
Water temperature	+3° C / +37° F	+32° C / +90° F
Voltage	-10%	+10%
Water inlet pressure	1bar (14 psi)	6bar (84 psi)

► **Performances**

	Air temperature	Water temperature	Water temperature					
			7° C	45° F	15° C	60° F	21° C	70° F
	10° C	60 kg						
	50° F	132 lbs						
	21° C		50 kg					
	70° F			110 lbs				
	32° C				41 kg			
	90° F					90 lbs		

► **Connections**

All measures are referred to the rear bottom-left corner (L-H-Ø)

- ① Water in.: 111 mm / 4 6/16" - 196 mm / 7 11/16" - 3/4" ② Water out.: 49 mm / 1 15/16" - 151 mm / 5 15/16" - 24 mm / 15/16"
 ③ Electrical connections: 156 mm / 6 2/16" - 232 mm / 9 2/16"

► **Technical information**

Production in 24h	50 kg / 110 lbs
Store capacity, up to	20 kg / 44 lbs
Cooling system	A - W
Kind of cube	A-20g
Refrigerant	R452A
Standard voltage	220-240 V ~ 50 Hz
Average power consumption	420 W
Fuse	10 A
Finish	AISI 304 stainless steel, scotch brite

Water consumption	A: 3,3 l/kg - 39,5 gal/100 lbs
	W: 10,5 l/kg - 125,8 gal/100 lbs
Sizes (L-P-H mm)	495 - 580 - 797
(L-P-H in)	19 8/16 - 22 13/16 - 31 6/16
Sizes with pack (L-P-H mm)	550 - 630 - 990
(L-P-H in)	21 10/16 - 24 13/16 - 39
Net weight	54 kg / 119 lbs
Gross weight	62 kg / 137 lbs

All the technical information must be considered at the following conditions:

- Sizes without feet
- Standard Cube (20 g)
- Ambient temperature +21° C
- Water temperature +15° C
- Average power consumption at +43° C (standard voltage)

Models and specifications are subject to change without notice

Rev. 04 - Issued September 2019



www.bremaice.it
info@bremaice.it

Bim + Data
download

