

# SLF 500



# FROZEN SNOW



## Self-contained ice maker up to 320 kg - Granular system

### ● Position n°



### ● Application fields

Hotel	●●●●●●●●●●	Fish market	●●●●●●●●●●
Restaurant	●●●●●●●●●●	Supermarket	●●●●●●●●●●
Fast food	●●●●●●●●●●	SPA	●●●●●●●●●●
Bar	●●●●●●●●●●	Medical	●●●●●●●●●●
Disco	●●●●●●●●●●	Industry	●●●●●●●●●●

### ● Features & Plus

- Granular ice
- Low consumption (1 liter water / 1 kg ice) - aircooled vers.
- Electromechanical functioning
- External structure AISI 304 Scotch Brite
- Evaporator AISI 304, auger AISI 303 made
- Air Cooling and Water Cooling systems
- Standard and special voltages
- Insulated retractable door
- ON-OFF switch
- Dust proof water basin
- Automatic water charge
- Easy cleaning thanks to rounded surfaces
- Removable side panels
- Internal bin insulation HCFC free
- Model in Tropical Class + 43 ° C
- Conformity to RoHS directive
- Adjustable Stainless Steel feet

### ● Prod. 24h

Air temp.	Water temp.	Prod. 24h kg
10° C	10° C	320
21° C	15° C	280
32° C	21° C	233

## 2 Years Warranty

subject to limitations

### ● Certifications available for this model



**N.T.F. S.r.l. Nuove Tecnologie del Freddo**

Via dell'Industria 10/B tel. +39 0331 436217  
20020 Villa Cortese (MI), Italy fax +39 0331 436218

[www.ntfice.it](http://www.ntfice.it)  
[info@ntfice.it](mailto:info@ntfice.it)



[ntfice.it](http://ntfice.it)



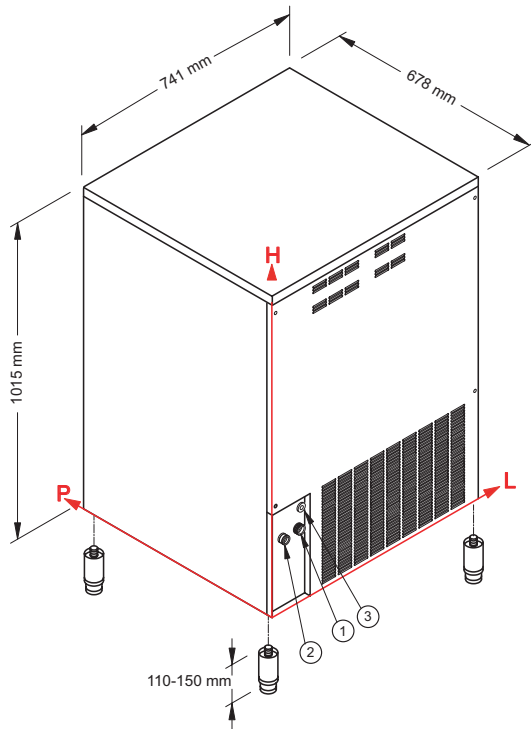
# SLF 500



# FROZEN SNOW



## Self-contained ice maker up to 320 kg - Granular system



### • Connections

All measures are referred to the rear bottom-left corner (L-H-Ø)

- ① Water inlet:  
120 mm - 230 mm - 3/4"
- ② Water outlet:  
65 mm - 245 mm - 24 mm
- ③ Electrical connection:  
130 mm - 310 mm

### • Working conditions

- Location: Indoor

	Min	Max
Ambient temperature	+10° C	+43° C
Water temperature	+3° C	+32° C
Voltage	-10%	+10%
Water inlet pressure	1bar (14 psi)	6bar (84 psi)

### • Technical information

Production in 24h	280 kg
Store capacity, up to	55 kg
Cooling system	A - W
Refrigerant	R404A
Standard voltage	220-240 V ~ 50 Hz
Electrical consumption	1050 W
Fuse	10 A
Water consumption	A: 1 l/kg W: 5,2 l/kg
Sizes (L-P-H mm)	741 - 678 - 1015
Sizes with pack (L-P-H mm)	800 - 750 - 1150
Net weight	106 kg
Gross weight	117 kg
Finish	AISI 304 stainless steel, scotch brite

All the technical information must be considered at the following conditions:

Sizes without feet	Ambient temperature +21° C	Water temperature +15° C	Electrical consumption at +43° C (standard voltage)

Models and specifications are subject to change without notice  
Rev. 00 - Issued January 2017



**N.T.F. S.r.l. Nuove Tecnologie del Freddo**

Via dell'Industria 10/B tel. +39 0331 436217  
20020 Villa Cortese (MI), Italy fax +39 0331 436218

[www.ntfice.it](http://www.ntfice.it)  
info@ntfice.it



ntfice.it

