

# Split 4500

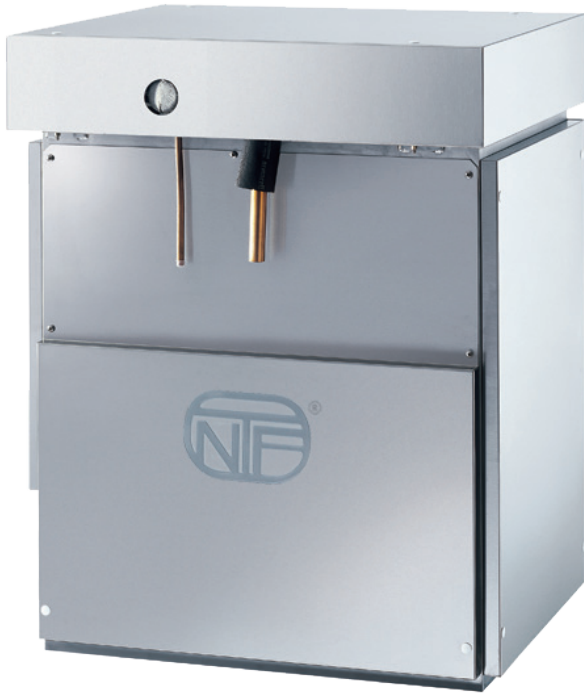


## FROZEN ICE



### Modular ice maker 2300 kg - Scale system

#### ● Position n°



#### ● Application fields

Hotel	●●●●●●●●	Fish market	●●●●●●●●
Restaurant	●●●●●●●●	Supermarket	●●●●●●●●
Fast food	●●●●●●●●	SPA	●●●●●●●●
Bar	●●●●●●●●	Medical	●●●●●●●●
Disco	●●●●●●●●	Industry	●●●●●●●●

#### ● Features & Plus

- Subcooled flakes (from -5°C to -10°C)
- 1 m<sup>3</sup> = 430 kg of ice
- Low consumption (1 liter water / 1 kg ice)
- AISI 304 SS Scotch Brite finish
- Evaporator AISI 304 Stainless Steel made, with rotating knife
- Cleanable antiscaling filter
- Easy cleaning thanks to rounded surfaces
- FDA approved -ABS plastic components
- Conformity to RoHS directive
- Automatic water charge
- Standard and special voltages
- Model in Tropical Class + 43 ° C

### 2 Years Warranty

subject to limitations

#### ● Certifications available for this model



**N.T.F. S.r.l. Nuove Tecnologie del Freddo**

Via dell'Industria 10/B  
20020 Villa Cortese (MI), Italy

tel. +39 0331 436217  
fax +39 0331 436218

[www.ntfice.it](http://www.ntfice.it)  
[info@ntfice.it](mailto:info@ntfice.it)

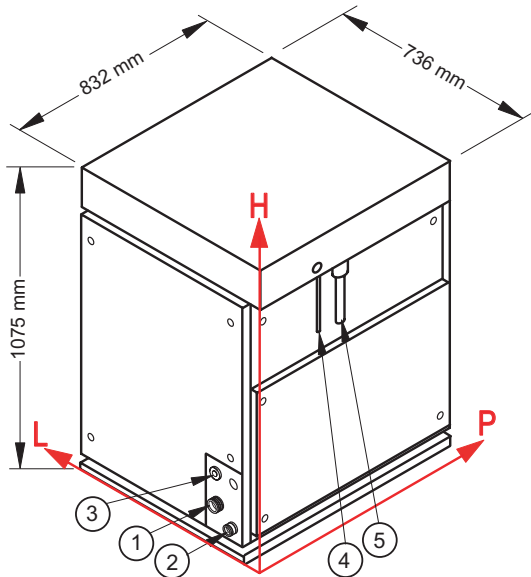


[ntfice.it](http://ntfice.it)





## Modular ice maker 2300 kg - Scale system



### • Connections

All measures are referred to the rear bottom-left corner (L-H-Ø)

- ① Water inlet:  
123 mm - 120 mm - 3/4"
- ② Water outlet:  
78 mm - 65 mm - 24 mm
- ③ Electrical connection:  
123 mm - 204 mm
- ④ Refrigerant feeding pipe
- ⑤ Outlet pipe of gaseous refrigerant

### • Working conditions

- Location: Indoor

	Min	Max
Ambient temperature	+10° C	+43° C
Water temperature	+3° C	+32° C
Voltage	-10%	+10%
Water inlet pressure	1bar (14 psi)	6bar (84 psi)

### • Technical information

Production in 24h	2300 kg
Refrigerant	R404A - R507
Refrigerant capacity	12000 W (evap. temp. -27° C)
Standard voltage	400-415 V ~ 3N 50 Hz
Electrical consumption	180 W
Sizes (L-P-H mm)	736 - 832 - 1075
Sizes with pack (L-P-H mm)	830 - 946 - 1345
Net weight	300 kg
Gross weight	328 kg
Finish	AISI 304 stainless steel, scotch brite

All the technical information must be considered at the following conditions:



Refrigerant capacity  
12000 W  
(evap. temp. -27° C)



Water temperature  
+15° C



Electrical consumption  
at +43° C  
(standard voltage)

Models and specifications are subject to change without notice  
Rev. 00 - Pubblicato January 2017

