

Self-contained ice maker - Vertical evaporator system
Daily production up to 120 kg

Hotel	████████
Restaurant	████████
Fast food	████████
Bar	████████
Disco	████████
Fish market	████████
Supermarket	████████
Medical & SPA	████████
Industry	████████

► Position n°



► Features & Plus

- Single and crystal cube
- AISI 304 SS Scotch Brite finish
- Tropical class +43°C
- Adjustable Stainless Steel feet
- Removable and cleanable air filter
- Cleanable antiscaling filter
- Air or water cooling system
- Easy cleanable internal rounded surface
- HCFC-Free insulated storage
- RoHS Free
- Disappearing insulated door
- Electromechanical operation
- ON-OFF rocker switch
- Standard and special voltages



Single and crystal cube



AISI 304 SS Scotch Brite finish



Adjustable Stainless Steel feet



Removable and cleanable air filter

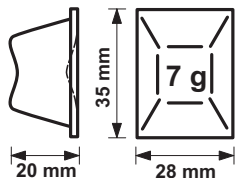


Cleanable antiscaling filter



Disappearing insulated door

► Available ice cube size



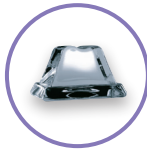
► Prod. 24h

Air temp.	Water temp.	kg	lbs		
		10° C 50° F	7° C 45° F	120	265
		21° C 70° F	15° C 60° F	105	231

2 Years Warranty
subject to limitations

► Certifications available for this model



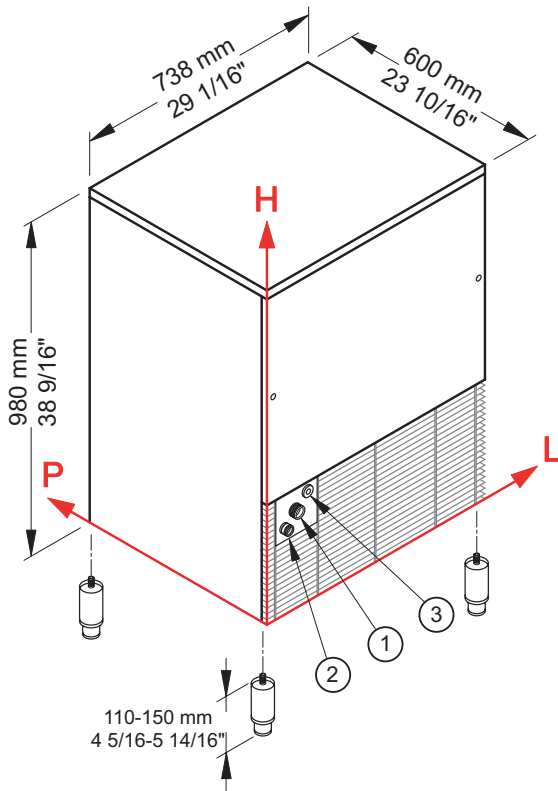


Fast Ice

VB 250



Self-contained ice maker - Vertical evaporator system Daily production up to 120 kg



► Working conditions

- Location: **Indoor**

	Min	Max
Ambient temperature	+10° C / +50° F	+43° C / 110° F
Water temperature	+3° C / +37° F	+32° C / +90° F
Voltage	-10%	+10%
Water inlet pressure	1bar (14 psi)	6bar (84 psi)

► Performances

	Water temperature						
		7° C	45° F	15° C	60° F	21° C	70° F
Air temperature	10° C	120 kg					
	50° F		265 lbs				
	21° C			105 kg			
	70° F				231 lbs		
	32° C					90 kg	
	90° F						198 lbs

► Connections

All measures are referred to the rear bottom-left corner (L-H-Ø)

- ① Water in.: 116 mm / 4 9/16" - 245 mm / 9 10/16" - 3/4" ② Water out.: 54 mm / 2 2/16" - 200 mm / 7 14/16" - 24 mm / 15/16"
- ③ Electrical connections: 161 mm / 6 5/16" - 281 mm / 11 1/16"

► Technical information

Production in 24h	105 kg / 231 lbs	Water consumption	A: 2,5 l/kg - 29,9 gal/100 lbs
Store capacity, up to	35 kg / 77 lbs		W: 14,2 l/kg - 170,2 gal/100 lbs
Cooling system	A - W	Sizes (L-P-H mm)	738 - 600 - 980
Kind of cube	7g	(L-P-H in)	29 1/16 - 23 10/16 - 38 9/16
Refrigerant	R404A - R452A	Sizes with pack (L-P-H mm)	780 - 640 - 1140
Standard voltage	220-240 V ~ 50 Hz	(L-P-H in)	30 11/16 - 25 3/16 - 44 14/16
Average power consumption	850 W	Net weight	75 kg / 165 lbs
Fuse	10 A	Gross weight	85 kg / 187 lbs
Finish	AISI 304 stainless steel, scotch brite		

All the technical information must be considered at the following conditions:

- Sizes without feet
- Standard Cube (7 g)
- Ambient temperature +21° C
- Water temperature +15° C
- Average power consumption at +43° C (standard voltage)

Models and specifications are subject to change without notice

Rev. 04 - Issued September 2019



www.bremaice.it
info@bremaice.it

Bim + Data
download

